

Yucko's

Dogipot Product Catalog



The **Smart** Solution to Dog Pollution.

Product Details, Spec Sheets And Order Forms

Your Order Will Usually Be Shipped From Either Orlando, Florida Or Phoenix, Arizona
Orders Processed By 10:30 AM CST Will Usually Be Shipped Out That Day Or By The Next Business Day

We Strive To Always Process And Ship Your Order As Quickly As Possible
All Orders Will Be Verified With Customer Before Order Is Shipped
Product Prices Exclude Shipping

Orders Over 250 Lbs. Must Be Quoted

Orders Outside Continental USA Must Be Quoted

Clients Are Responsible For All Brokerage Fees And Custom Charges

Seller Not Responsible For Customs Delays

All Returns Are Subject To 20% Restocking Fee And All Shipping Paid By Purchaser



Yucko's, Inc

Sales: (314) 770-1500

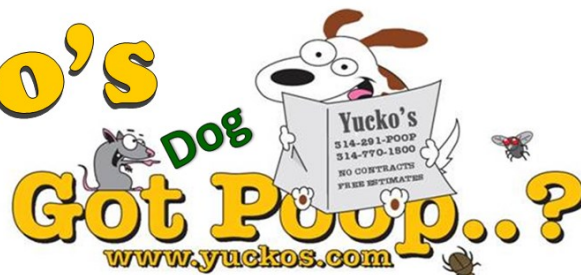
Fax: (314) 291-7667

Email: yuckos@yuckos.com

Website: www.yuckos.com

Yucko's

314-770-1500
9am-4pm Mon-Fri



www.yuckos.com

Product Directory

Bags

3

- Smart Litter Pickup Bags (Rolled) #1402
- Smart Litter Pickup Bags (Header Paks) #1402HP
- Retail Pak #1409 And Welcome Sample Pak #1408
- Smart Liner Trash Bags 10-15 Gallon Size #1404
- Smart Liner Trash Bags 33 Gallon And 55 Gallon Sizes #1404M, #1404XL

Pet Stations

9

- Aluminum Junior Pet Station With Aluminum Trash Receptacle #1003A-L
- Aluminum Junior Pet Station With Steel Trash Receptacle #1003-L
- Aluminum Mini Junior Pet Station With Aluminum Trash Receptacle
- Aluminum Mini Junior Pet Station With Steel Trash Receptacle
- Aluminum Header Pak Junior Pet Station With Aluminum Trash Receptacle #1003HPA-L
- Aluminum Header Pak Junior Pet Station With Steel Trash Receptacle #1003HP-L
- Poly Junior Pet Station #1010

Pet Stations Without Trash Receptacles

36

- Aluminum Junior Pet Station Without Trash Receptacle #1003 W
- Aluminum Mini Junior Pet Station Without Trash Receptacle #1003M W
- Aluminum Header Pak Junior Pet Station Without Trash Receptacle #1003HP W
- Poly Junior Pet Station Without Trash Receptacle #1010 W

DogValets

44

- Aluminum DogValet #1001-2
- Poly DogValets #1005-2 Forest Green, #1006-2 Sand Beige

Junior Dispensers

51

- Aluminum Junior Dispenser #1002-2
- Aluminum Mini Junior Dispenser #1002M-2
- Aluminum Header Pak Junior Dispenser #1002HP-2
- Poly Junior Dispenser #1007-2

Accessories And Replacement Parts

66

- Accessories And Replacement Parts
- Trash Receptacles #1206A-L Aluminum, #1206-L Steel, #1208 Poly
- Posts #1301-P, #1302, #1304
- Single Roll Dispensers #1004-1 Aluminum, #1008-1 Poly
- Pet Signs #1203 On Leash, #1204 Off Leash
- Conversion Kit #1002HP-CK

Pet Products

78

- Bunkhouse #1703-L, #1703-XL
- Two-In-One Table Crate #1702-M, #1702-L
- Adjustable Diner #1704-S, #1704-M, #1704-L
- Dog Bowl #1701-L
- Artificial Dog Poop #1901

FAQ, Warranty, Terms And Conditions

80

Yucko's



314-770-1500
9am-4pm Mon-Fri

www.yuckos.com

DOGIPOT® Smart Litter Pickup Bags (Rolled)



#1402

DOGIPOT® SMART LITTER PICKUP BAGS™ ON A ROLL

- Item #1402
- Fits All Roll Dispensers
- 200 Bags Per Roll
- Each Roll Is In Individual Box
- Can Be Ordered In Cases Of 10, 20, Or 30 Rolls
- Clearly Printed Instructions On Each Box
- Perforated Bag Separation



Aluminum Junior
#1002-2



Mini Aluminum Junior
#1002M-2



Poly Junior
#1007-2



Aluminum DogValet
#1001-1



Sand Beige
Poly DogValet
#1006-2



Forest Green
Poly DogValet
#1005-2

Most Competitors Have Modeled Their Dispensers And Products After DOGIPOT® Products
Thus, DOGIPOT® Litter Bags Fit In All Major Brand Rolled Dispensers

Approximate Shelf Life: 1 Year

Storage Recommendations:

- Keep In Original Packaging
- Keep In A Controlled Environment
- Do Not Exceed 86 °F (30 °C)
- Do Not Store In Direct Sunlight
- Use Prior To Use-By Date

‡ Failure Of The Above Will Reduce The Shelf-Life And May Adversely Impact The Performance Characteristics Of These Bags And Void Any Warranty

Yucko's

314-770-1500
9am-4pm Mon-Fri



The Smart Solution to Dog Pollution.

www.yuckos.com

#1002M-2

DOGIPOT® SMART LITTER PICKUP BAGS™ (HEADER PAKS)



#1402HP

DOGIPOT® SMART LITTER PICKUP BAGS™ HEADER PAK

- Item #1402HP
- Fits ANY Dispenser
- 100 bags per Header Pak
- 20 Header Paks per case
- Clearly printed instructions on each Header Pak
- Perforated tear away bag

PRODUCT DETAILS: Item #1402HP

- Bag Size: 8"W x 13"L
- Thickness: 0.8 mil / 20 microns
- Bag Color: Opaque Green



Aluminum Header Pak
Junior Dispenser
#1002HP-4

Approximate Shelf Life: 1 Year Storage Recommendations†:

- Keep In Original Packaging
- Keep In A Controlled Environment
- Do Not Exceed 86 °F (30 °C)
- Do Not Store In Direct Sunlight
- Use Prior To Use-By Date

Most Competitors Have Modeled Their Dispensers And Products After DOGIPOT® Products
Thus, DOGIPOT® Litter Bags Fit In All Major Brand Hanging Dispensers

Aluminum Junior Dispensers Can Be Converted From Dispensing Rolled Litter Bags To Dispensing Header Paks!



† Failure Of The Above Will Reduce The Shelf-Life And May Adversely Impact The Performance Characteristics Of These Bags And Void Any Warranty

Yucko's



314-770-1500
9am-4pm Mon-Fri



Retail Pak #1409 And Welcome Sample Pak #1408



The Retail Pak

The Retail Pak #1409

There Are 40 Retail Paks Per Case
Each Retail Pak Contains 50 Litter Bags
(2,000 Litter Bags Per Case)

Retail Paks Can Be Purchased Individually

Recommended For Retail Sale Or Home Use

- In Any Retail Setting, Such As Campground Or RV Convenience Stores
- At Any Business Dog Owners Frequent, Such As Vet Offices Or Pet Stores



The Welcome Sample Pak

The Welcome Sample Pak #1408

There Are 100 Sample Paks Per Case
Each Sample Pak Contains 20 Litter Bags
(2,000 Litter Bags Per Case)

These Are Great Reminders Or Give-A-Ways

- In New Resident Welcome Packs
- Guests At Dog-Friendly Hotels Or Campgrounds
- Fund Raising Events
- Any Dog-Related Event



Back View Of The Retail Pak Or Welcome Sample Pak

HOW TO USE DOGIPOT® SMART LITTER PICK UP BAGS™



1. Pull the bag over your hand just like a glove.



2. Pick up your dog's waste



3. Reverse the bag



4. Tie a knot in bag and dispose of it in any trash or DOGIPOT® receptacle

Litter Bag Specifications:

- 8" Wide x 13" Tall
- Opaque Green
- .8 Mil / 20 Micron Thickness

Approximate Shelf Life: 1 Year

Storage Recommendations[‡]:

- Keep In Original Packaging
- Keep In A Controlled Environment
- Do Not Exceed 86 °F (30 °C)
- Do Not Store In Direct Sunlight
- Use Prior To Use-By Date

[‡] Failure Of The Above Will Reduce The Shelf-Life And May Adversely Impact The Performance Characteristics Of These Bags And Void Any Warranty

Yucko's

314-770-1500
9am-4pm Mon-Fri



The Smart Solution to Dog Pollution.

www.yuckos.com

DOGIPOT® SMART LINER TRASH BAGS™ (BOXED ROLLS)



DOGIPOT® SMART LINER TRASH BAGS™ (50 Bags In Each Box)

- Item #1404
- Standard 10-15 gallon
- Individually boxed - 50 overleafed bags
- Easy closing draw tape

PRODUCT DETAILS

- Bag Size: 27.5"W x 29"L
- Box Size: 4" x 4" x 14"
- Thickness: 1.8 mil / 46 microns
- Bag Color: Opaque Black



For Use In All DOGIPOT® Trash Receptacles And DogValets



Aluminum/Steel Trash



Poly Trash Receptacle



Aluminum DogValet's



Sand Beige Poly DogValet's



Forest Green Poly DogValet's

Most Competitors Have Modeled Their Dispensers And Products After DOGIPOT® Products
Thus, DOGIPOT® Litter Bags Fit In All Major Brand Rolled Dispensers

Approximate Shelf Life: 1 Year

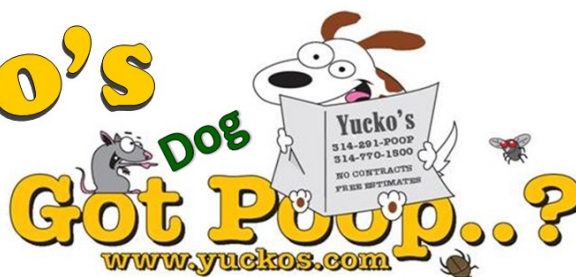
Storage Recommendations[‡]:

- Keep In Original Packaging
- Keep In A Controlled Environment
- Do Not Exceed 86 °F (30 °C)
- Do Not Store In Direct Sunlight
- Use Prior To Use-By Date

[‡] Failure Of The Above Will Reduce The Shelf-Life And May Adversely Impact The Performance Characteristics Of These Bags And Void Any Warranty

Yucko's

314-770-1500
9am-4pm Mon-Fri



The Smart Solution to Dog Pollution.

www.yuckos.com

Smart Liner Trash Bags (Medium And XL)

Box Of 1404M Bags



Medium Smart Liner Trash Bags #1404M

33 Gallon Liner Trash Bags

There Are 25 Liner Trash Bags Per Box

- 33 Gallons
- Opaque Green
- 1.8 Mil / 46 Micron Thickness
- Star-Seal Bottom For Extra Strength

Box Dimensions: 6" x 6" x 10"

Weight: 5 lbs

Box Of 1404XL Bags



XL Smart Liner Trash Bags #1404XL

55 Gallon Liner Trash Bags

There Are 25 Liner Trash Bags Per Box

- 55 Gallons
- Opaque Green
- 1.8 Mil / 46 Micron Thickness
- Star-Seal Bottom For Extra Strength

Box Dimensions: 6" x 6" x 11"

Weight: 8 lbs

Approximate Shelf Life: 1 Year

Storage Recommendations[‡]:

- Keep In Original Packaging
- Keep In A Controlled Environment
- Do Not Exceed 86 °F (30 °C)
- Do Not Store In Direct Sunlight
- Use Prior To Use-By Date



3027 Charmbrook Lane
 Maryland Heights, MO 63043
 yuckos@yuckos.com
 Tel: 314-770-1500 Fax: 314-291-7667



Bags Order Form

Client Information
 Shipping Address:

Smart Litter Pick Up Bags - Rolled 200 Bags Per Roll

Model #	Product Name	Price Ea	Quantity	Total
1402-S	Single Roll	\$10.95		\$
1402-10	10 Roll Case Of Litter Bags	\$81.00		\$
1402-20	20 Roll Case Of Litter Bags	\$152.00		\$
1402-30	30 Roll Case (Quantity 1-4 Cases)	\$216.00		\$
1402-30	30 Roll Case (Quantity 5-10 Cases)	\$189.00		\$
1402-30	30 Roll Case (Quantity 11-29 Cases)	\$177.00		\$
1402-30	30 Roll Case (Quantity 30+ Cases)	\$168.00		\$

Billing Address: (If Different)

Email Address:

Header Pak Litter Bags 2,000 Bags Per Case

Model #	Product Name	Price Ea	Quantity	Total
1402HP	Header Pak Case (Quantity 1-6 Cases)	\$100.00		\$
1402HP	Header Pak Case (Quantity 7-12 Cases)	\$89.00		\$
1402HP	Header Pak Case (Quantity 13-89 Cases)	\$78.00		\$
1402HP	Header Pak Case (Quantity 90+ Cases)	\$68.00		\$

Contact Number:

Payment Method:
 Check Number

Retail Pak 2,000 Individual Bags Per Case

Model #	Product Name	Price Ea	Quantity	Total
1409-S	Single Retail Pak	\$4.99		\$
1409	Retail Pak Case (40 Paks)	\$149.00		\$

Card Number

Exp Date: CVS Code:

Welcome Sample Pak 2,000 Individual Bags Per Case

Model #	Product Name	Price Ea	Quantity	Total
1408	Welcome Sample Pak Case (100 Paks)	\$105.00		\$

Notes:

10-15 Gallon Trash Liners 50 Bags Per Box

Model #	Product Name	Price Ea	Quantity	Total
1404	Trash Liner Bags (Quantity 1-7 Cases)	\$17.50		\$
1404	Trash Liner Bags (Quantity 8-15 Cases)	\$16.25		\$
1404	Trash Liner Bags (Quantity 16+ Cases)	\$15.00		\$

33 Gallon Trash Liners 25 Bags Per Box

Model #	Product Name	Price Ea	Quantity	Total
1404M	Medium Trash Liner Bags (Quantity 1-7 Cases)	\$20.95		\$
1404M	Medium Trash Liner Bags (Quantity 8-15 Cases)	\$19.50		\$
1404M	Medium Trash Liner Bags (Quantity 16+ Cases)	\$18.00		\$

Shipping Cost
 Over 250 Lbs Must Be Quoted

Purchasing \$	Shipping \$
\$0 To \$10	\$3.00

55 Gallon Trash Liners 25 Bags Per Box

Model #	Product Name	Price Ea	Quantity	Total
1404XL	XL Trash Liner Bags (Quantity 1-7 Cases)	\$23.95		\$
1404XL	XL Trash Liner Bags (Quantity 8-15 Cases)	\$22.25		\$
1404XL	XL Trash Liner Bags (Quantity 16+ Cases)	\$20.50		\$

\$10.01 To \$23	\$7.00
-----------------	--------

\$23.01 To \$100	\$12.00
------------------	---------

\$100.01 To \$220	\$29.00
-------------------	---------

\$220.01 To \$300	\$40.00
-------------------	---------

\$300.01 To \$350	\$45.00
-------------------	---------

\$350.01 To \$400	\$55.00
-------------------	---------

\$400.01 To \$450	\$60.00
-------------------	---------

\$450.01 To \$500	\$70.00
-------------------	---------

\$500.01 To \$600	\$80.00
-------------------	---------

\$600.01 To \$700	\$90.00
\$700.01 To \$800	\$95.00
\$800.01 To \$900	\$100.00
\$900.01 To \$1000	\$110.00
\$1000.01 To \$1100	\$135.00
Over \$1100.01	\$160.00

Item Subtotal: \$
Shipping (Use Chart On Left) \$
MO Sales Tax, If Applicable (7.613%) \$
Total: \$



Orders Outside Continental USA Must Be Quoted
 Seller Not Responsible For Customs Delays

Clients Are Responsible For All Brokerage Fees And Custom Charges

All Returns Are Subject
 To 20% Restocking Fee And
 All Shipping Paid By Purchaser

**Aluminum Junior Pet Station
Aluminum Trash Receptacle
#1003A-L**

314-770-1500
9am-4pm Mon-Fri



Comes With A Choice Of 'On Leash' Or 'Off Leash' Signage



On Leash #1203



Off Leash #1204

Signage

- 18-Gauge Aluminum
- Reflective
- 18" High By 11.5" Wide

Aluminum Junior Dispenser

- #1002-2
- 12 Gauge Aluminum
- Powder Coated Aluminum
- Forest Green
- Locking Access Panel
- Clear Instructions Posted
- Easy & Versatile Installation
- Measures 15.5" x 9.4" x 3.25"



2 Rolls Of Litter Bags

- #1402
- 200 Bags Per Roll (400 Bags)
- 8" Wide x 13" Tall
- Perforated Bag Separation
- Opaque Green

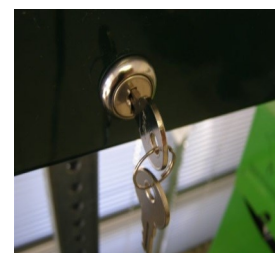


Set Of 2 Keys

- #1102

Lock

- #1105



Aluminum Trash Receptacle

- #1206A-L
- 23" Tall - 11.5" Diameter
- 10 Gallon
- 11 Gauge
- Powdered Coated
- Forest Green



1 Box Of Trash Liner Bags

- #1404
- 50 Bags Per Box
- Heavy-Duty, 10-15 Gallons



8' Telescoping Galvanized Steel Post

- #1301-P
- 2" W x 2" D x 4'-8' H

Available Replacements:

- Cover For Dispenser With Decal, Lock And Set Of Two Keys #1002-L
- Lock With Set Of Two Keys #1105
- Set Of Two Keys #1102
- Junior Dispenser Decal 9" W X 8.25" H
- Maintenance Spray Paint #1619

Replacement Keys, Locks, And Other Parts Available

Yucko's

314-770-1500
9am-4pm Mon-Fri



www.yuckos.com

ALL ALUMINUM DOGIPOT® PET STATION (ITEM #1003A-L) SPECIFICATION, INSTALLATION AND OPERATION SHEET



YOUR ALL ALUMINUM DOGIPOT® PET STATION INCLUDES:

- Aluminum **DOGIPOT®** Pet Sign, with mounting hardware (two (2) 2¼" x ¼" tap bolts, washers and locknuts)
- Aluminum **DOGIPOT®** JUNIOR Bag Dispenser (ITEM #1002-2), with mounting hardware (two (2) 2½" x ¼" bolts, washers and locknuts)
- Two (2) keys for Dispenser bottom locking access panel
- Two (2) rolls of **DOGIPOT®** Smart Litter Pick Up Bags™ (ITEM #1402) (200 count per roll), installed in **DOGIPOT®** JUNIOR Bag Dispenser
- 10 Gallon Aluminum Trash Receptacle (ITEM #1206A-L) with attached hinged lid and trash liner bag retainer bands, with mounting hardware (one (1) 2½" x ¼" and (1) 2¾" x ¼" bolts, washers and locknuts)
- One (1) box **DOGIPOT®** Smart Liner Trash Bags™ (ITEM #1404) (50 count)

SEPARATE SHIPPING BOX

- 2" x 2" x 4' - 8' Galvanized Steel Telescopic Mounting Post, with installation hardware (two (2) carriage bolts (2½" x 5/16"), washers and locknuts)

PLEASE CHECK THE ABOVE INVENTORY AND CALL YOUR DISTRIBUTOR IF ANY PARTS ARE MISSING.

INSTALLATION AND OPERATION INSTRUCTIONS

1. Select a good visible spot in your community or park where you want to install the All Aluminum **DOGIPOT®** Pet Station.
2. Prior to installation, remove the 1¾" x 1¾" x 4' portion of the mounting post from the 2" x 2" x 4' portion of the mounting post before cementing. **Insert the larger portion of the mounting post (2" x 2" x 4') approximately 14" into an 18" deep by 8" diameter hole filled with a 40 lb. bag of "ready to use" concrete mix.** To stabilize the post while cementing, place a rod, bolt or other device through the two bottom holes, prior to inserting into the ground and cementing. Level the post in a straight vertical position and let concrete dry for at least 12 hours.
3. After the concrete is dry, insert the smaller portion of the post (1¾" x 1¾" x 4') into the larger cemented portion of the post (2" x 2" x 4') until the the first 4 holes are lined up between the two posts. Use two (2) carriage bolts, washers and locknuts to fix the telescopic post in position, the upper bolt in the top overlapping hole, pointing from right to left and the lower bolt in the bottom overlapping hole, pointing from front to back. The total height above ground with both post parts should now be approximately 6'6".
4. Start by installing the **DOGIPOT®** Pet Sign on top of the 1¾" post, with the upper hole matching the most upper hole in the square post using the enclosed 2¼" bolts, washers and locknuts. Continue installing the Aluminum **DOGIPOT®** JUNIOR Bag Dispenser according to the mounting instructions enclosed with the Dispenser, ensuring that the upper edge of the Dispenser is approximately 1" below the lower edge of the **DOGIPOT®** Pet Sign.
5. Install the Aluminum **DOGIPOT®** Trash Receptacle through the pre-drilled top oval holes in the back wall of the receptacle and through the square post with the remaining bolts, washers and locknuts, using the 2¾" bolt on top and the 2½" bolt below. **The upper edge of the trash receptacle must be approximately 12½" below the lower end of your Aluminum DOGIPOT® JUNIOR Bag Dispenser so that the lid may completely open.** The upper back wall of the trash receptacle is supposed to touch the head of the lower post carriage bolt, which creates some space between the post and the receptacle, allowing the receptacle lid to open from left to right, without touching the post.
6. Insert one of the enclosed **DOGIPOT®** Smart Liner Trash Bags™ into the trash receptacle, folding it over the interior retainer bands. Proper installation and general maintenance will help expand the life of the trash receptacle and dispenser unit. **DOGIPOT®** offers Product Maintenance Paint to help cover any paint chips which may occur in the powder coating during the life of the product.

7. ENJOY WATCHING PET OWNERS PICK UP AFTER THEIR DOGS!

Yucko's



314-770-1500
9am-4pm Mon-Fri

DOGIPOT®



The Smart Solution to Dog Pollution.

www.yuckos.com

ALL ALUMINUM DOGIPOT® PET STATION (ITEM #1003A-L) SPECIFICATION, INSTALLATION AND OPERATION SHEET

(A) DOGIPOT® PET SIGN (ITEM #1203 / 1204)

- H: 18" x W: 11.5"
- 14 gauge reflective aluminum
- Weight: 1.35 lbs.
- Forest green on white

(B) ALUMINUM DOGIPOT® JUNIOR BAG DISPENSER (ITEM #1002-2)

- H: 15"5" x W: 9.4" x D: 3.25"
- 12 gauge powder coated forest green aluminum
- Weight: 7 lbs.
- 400 bag capacity
- Two diamond shaped bag dispenser slots
- Front locking access panel
- Clearly posted instructions

(C) ALUMINUM TRASH RECEPTACLE WITH LID (ITEM #1206A-L)

- H: 23" x 11.5" diameter
- 11 gauge powder coated forest green aluminum
- Weight: 9 lbs.
- 10 gallon capacity with interior trash liner bag retainer bands
- Attached aluminum hinged lid
- One (1) box 50 count **DOGIPOT®** Smart Liner Trash Bags™ (ITEM #1404) included (5 lbs.)

(D) TELESCOPIC GALVANIZED STEEL MOUNTING POST (ITEM #1301-P)

- 2" x 2" x 8'
- 11 gauge galvanized steel
- Weight: 15 lbs.

TOTAL HEIGHT FROM ABOVE GROUND:

- 6'6"

SPACE BETWEEN DISPENSER AND SIGN:

- 1.0"

SPACE BETWEEN RECEPTACLE AND DISPENSER:

- 12.5"

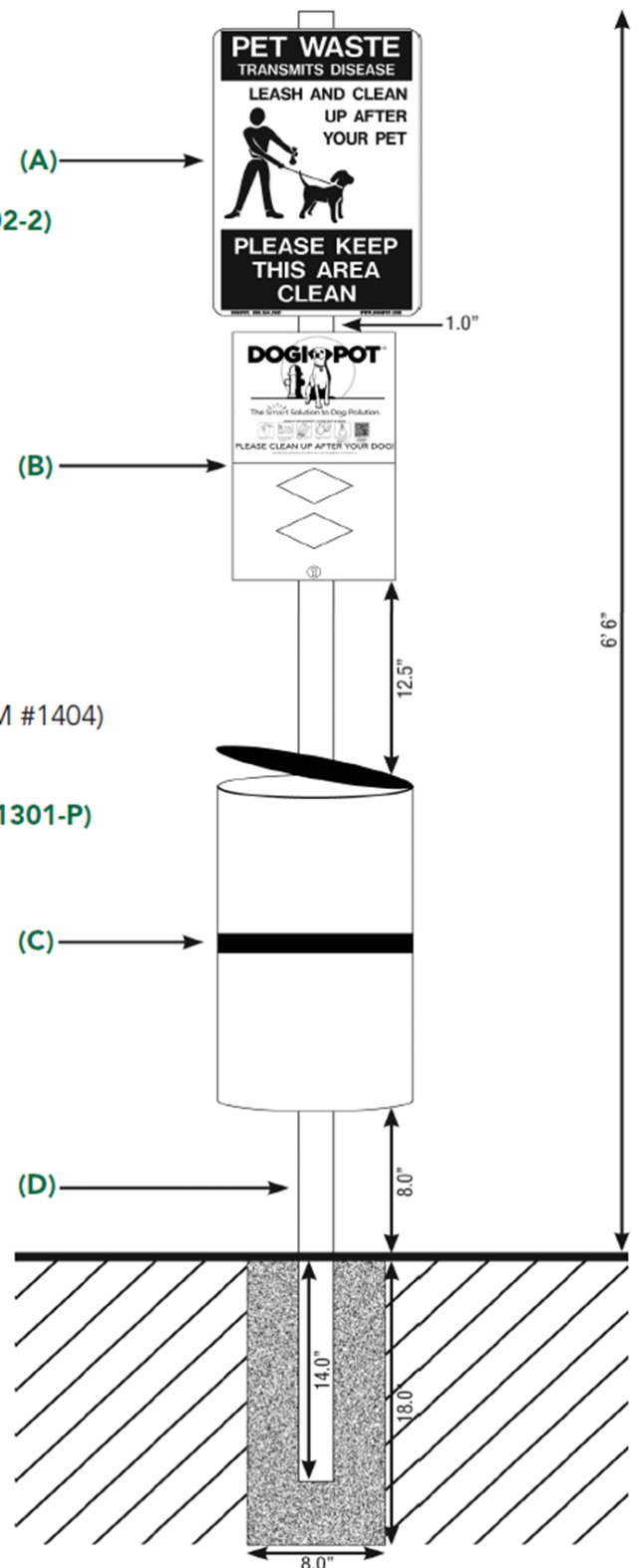
SPACE BETWEEN GROUND AND RECEPTACLE:

- 8.0"

HOLE:

- D: 18.0" x W: 8.0"
- Fill with 40 lbs. "ready to use" cement

TOTAL SHIP WEIGHT: 45 LBS.
(MOUNTING HARDWARE INCLUDED)



**Aluminum Junior Pet Station
Steel Trash Receptacle
#1003-L**

314-770-1500
9am-4pm Mon-Fri



Comes With A Choice Of 'On Leash' Or 'Off Leash' Signage



On Leash #1203



Off Leash #1204

Signage

- 18-Gauge Aluminum
- Reflective
- 18" High By 11.5" Wide

Aluminum Junior Dispenser

- #1002-2
- 12 Gauge Aluminum
- Powder Coated Aluminum
- Forest Green
- Locking Access Panel
- Clear Instructions Posted
- Easy & Versatile Installation
- Measures 15.5" x 9.4" x 3.25"



2 Rolls Of Litter Bags

- #1402
- 200 Bags Per Roll (400 Bags)
- 8" Wide x 13" Tall
- Perforated Bag Separation
- Opaque Green

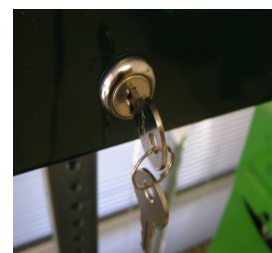


Set Of 2 Keys

- #1102

Lock

- #1105



Steel Trash Receptacle

- #1206-L
- 23" Tall - 11.5" Diameter
- 10 Gallon
- 16 Gauge
- Powdered Coated
- Forest Green



1 Box Of Trash Liner Bags

- #1404
- 50 Bags Per Box
- Heavy-Duty, 10-15 Gallons



8' Telescoping Galvanized Steel Post

- #1301-P
- 2" W x 2" D x 4'-8' H

Available Replacements:

- Cover For Dispenser With Decal, Lock And Set Of Two Keys #1002-L
- Lock With Set Of Two Keys #1105
- Set Of Two Keys #1102
- Junior Dispenser Decal 9" W X 8.25" H
- Maintenance Spray Paint #1619

Replacement Keys, Locks, And Other Parts Available

Yucko's

314-770-1500
9am-4pm Mon-Fri



www.yuckos.com

DOGIPOT® PET STATION (ITEM #1003-L)

SPECIFICATION, INSTALLATION AND OPERATION SHEET



YOUR ALUMINUM DOGIPOT® PET STATION INCLUDES:

- Aluminum **DOGIPOT®** Pet Sign, with mounting hardware (two (2) 2¼" X ¼" tap bolts, washers and locknuts)
- Aluminum **DOGIPOT®** JUNIOR Bag Dispenser (ITEM #1002-2), with mounting hardware (two (2) 2½" X ¼" bolts, washers and locknuts)
- Two (2) keys for Dispenser locking front access panel
- Two (2) rolls of **DOGIPOT®** Smart Litter Pick Up Bags™ (ITEM #1402) (200 count per roll), installed in **DOGIPOT®** JUNIOR Bag Dispenser
- 10 Gallon Steel Trash Receptacle (ITEM #1206-L) with attachable lid and trash liner bag retainer bands, with mounting hardware (one (1) 2½" x ¼" and (1) 2¾" x ¼" bolts, washers and locknuts)
- One (1) box **DOGIPOT®** Smart Liner Trash Bags™ (ITEM #1404) (50 count)

SEPARATE SHIPPING BOX

- 2" x 2" x 4' - 8' Galvanized Steel Telescopic Mounting Post, with installation hardware (two (2) carriage bolts (2½" x 5/16"), washers and locknuts)

PLEASE CHECK THE ABOVE INVENTORY AND CALL YOUR DISTRIBUTOR IF ANY PARTS ARE MISSING.

INSTALLATION AND OPERATION INSTRUCTIONS

1. Select a good visible spot in your community or park where you want to install the Aluminum **DOGIPOT®** Pet Station.
2. Prior to installation, remove the 1¾" x 1¾" x 4' portion of the mounting post from the 2" x 2" x 4' portion of the mounting post before cementing. **Insert the larger portion of the mounting post (2" x 2" x 4') approximately 14" into an 18" deep by 8" diameter hole filled with a 40 lb. bag of "ready to use" concrete mix.** To stabilize the post while cementing, place a rod, bolt or other device through the two bottom holes, prior to inserting into the ground and cementing. Level the post in a straight vertical position and let concrete dry for at least 12 hours.
3. After the concrete is dry, insert the smaller portion of the post (1¾" x 1¾" x 4') into the larger cemented portion of the post (2' x 2' x 4') until the the first 4 holes are lined up between the two posts. Use two (2) carriage bolts, washers and locknuts to fix the telescopic post in position. , the upper bolt in the top overlapping hole, pointing from right to left and the lower bolt in the bottom overlapping hole, pointing from front to back. The total height above ground with both post parts should now be approximately 6"6".
4. Start by installing the **DOGIPOT®** Pet Sign on top of the 1¾" post, with the upper hole matching the most upper hole in the square post using the enclosed 2¼" bolts, washers and locknuts. Continue installing the Aluminum **DOGIPOT®** JUNIOR Bag Dispenser according to the mounting instruction enclosed with the Dispenser, ensuring that he upper edge of the Dispenser is approximately **1" below** the lower edge of the **DOGIPOT®** Pet Sign.
5. Install the Steel **DOGIPOT®** Trash Receptacle through the pre-drilled top oval holes in the back wall of the receptacle and through the square post with the remaining bolts, washers and locknuts, using the 2¾ bolt on top and the 2½ bolt below. **The upper edge of the trash receptacle must be approximately 12½" below the lower end of your Aluminum DOGIPOT® JUNIOR Bag Dispenser so that the lid may completely open.** The upper back wall of the trash receptacle is supposed to touch the head of the lower post carriage bolt, which creates some space between the post and the receptacle, allowing the receptacle lid to open from left to right, without touching the post.
6. Insert one of the enclosed **DOGIPOT®** Smart Liner Trash Bags™ into the trash receptacle, folding it over the interior retainer bands. As with any powder coated steel product constantly exposed to the elements, proper installation and general maintenance will help prevent and minimize corrosion and expand the life of the steel trash receptacle (can be upgraded to aluminium (ITEM #1206A-L) for an additional charge). **DOGIPOT®** offers Product Maintenance Paint to help cover any paint chips which may occur in the powder coating during the life of the product.
7. **ENJOY WATCHING PET OWNERS PICK UP AFTER THEIR DOGS!**

Yucko's



The Smart Solution to Dog Pollution.

www.yuckos.com

314-770-1500
9am-4pm Mon-Fri

DOGIPOT® PET STATION (ITEM #1003-L)

SPECIFICATION, INSTALLATION AND OPERATION SHEET

(A) DOGIPOT® PET SIGN (ITEM #1203 / 1204)

- H: 18" x W: 11.5"
- 14 gauge reflective aluminum
- Weight: 1.35 lbs.
- Forest green on white

(B) ALUMINUM DOGIPOT® JUNIOR BAG DISPENSER (ITEM #1002-2)

- H: 15.5" x W: 9.4" x D: 3.25"
- 12 gauge powder coated forest green aluminum
- Weight: 7 lbs.
- 400 bag capacity
- Two diamond shaped bag dispenser slots
- Front locking access panel
- Clearly posted instructions

(C) STEEL TRASH RECEPTACLE WITH LID (ITEM #1206-L)

- H: 23" x 11.5" diameter
- 16 gauge powder coated forest green steel
- Weight: 14.6 lbs.
- 10 gallon capacity with interior trash liner bag retainer bands
- Attached stainless steel hinged lid
- One (1) box 50 count **DOGIPOT®** Smart Liner Trash Bags™ (ITEM #1404) included (5 lbs.)

(D) TELESCOPIC GALVANIZED STEEL MOUNTING POST (ITEM #1301-P)

- 2" x 2" x 8'
- 11 gauge galvanized steel
- Weight: 15 lbs.

TOTAL HEIGHT FROM ABOVE GROUND:

- 6'.6"

SPACE BETWEEN DISPENSER AND SIGN:

- 1.0"

SPACE BETWEEN RECEPTACLE AND DISPENSER:

- 12.5"

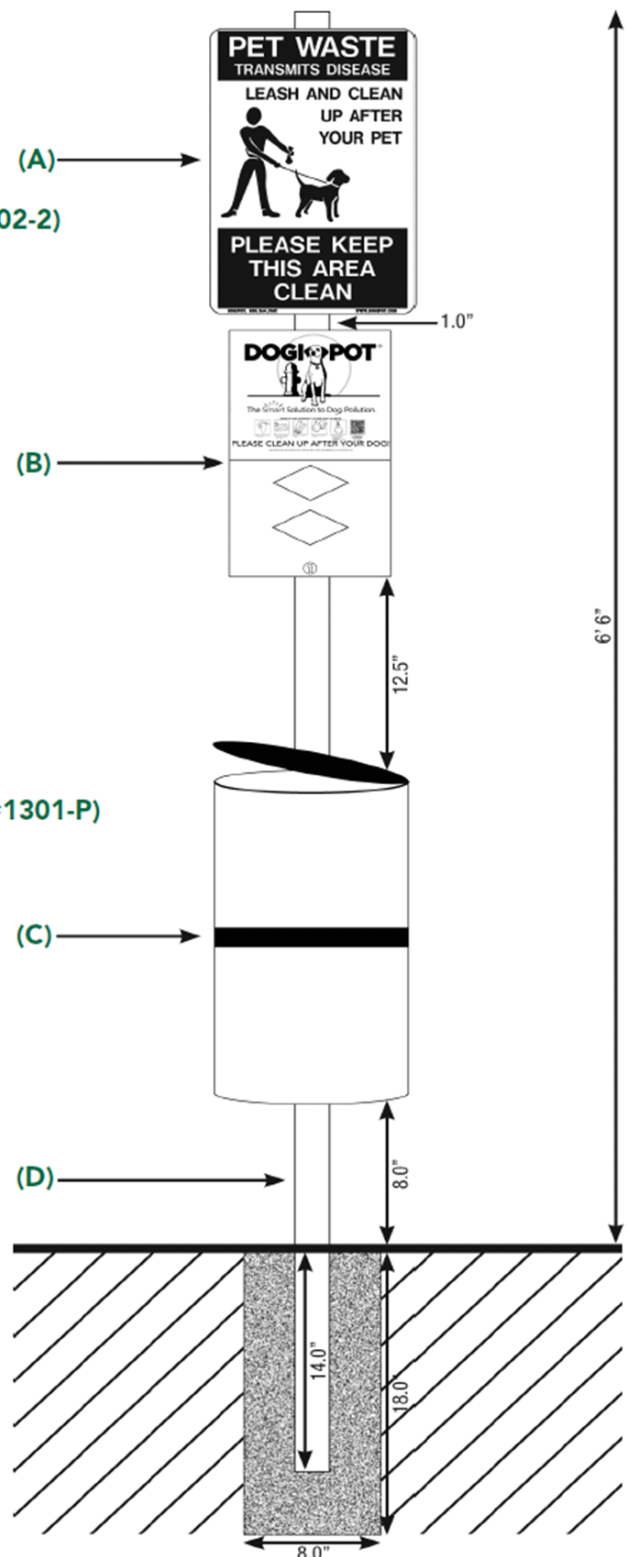
SPACE BETWEEN GROUND AND RECEPTACLE:

- 8.0"

HOLE:

- D: 18.0" x W: 8.0"
- Fill with 40 lbs. "ready to use" cement

TOTAL SHIP WEIGHT: 45 LBS.
(MOUNTING HARDWARE INCLUDED)



Yucko's

3027 Charmbrook Lane
 Maryland Heights, MO 63043
 yuckos@yuckos.com
 Tel: 314-770-1500 Fax: 314-291-7667



Client Information
 Shipping Address:

Aluminum Junior Pet Station Order Form

Aluminum Junior Pet Station With Aluminum Trash Receptacle

Model #	Product Name	Price Ea	Quantity	Total
1003AL-On	On Leash Pet Station Quantity Of 1-7	\$369.00		\$
1003AL-On	On Leash Pet Station Quantity Of 8-15	\$359.00		\$
1003AL-On	On Leash Pet Station Quantity Of 16+	\$349.00		\$
1003AL-Off	Off Leash Pet Station Quantity Of 1-7	\$369.00		\$
1003AL-Off	Off Leash Pet Station Quantity Of 8-15	\$359.00		\$
1003AL-Off	Off Leash Pet Station Quantity Of 16+	\$349.00		\$

Billing Address: (If Different)

Email Address:

Aluminum Junior Pet Station With Steel Trash Receptacle

Model #	Product Name	Price Ea	Quantity	Total
1003L-On	On Leash Pet Station Quantity Of 1-7	\$359.00		\$
1003L-On	On Leash Pet Station Quantity Of 8-15	\$349.00		\$
1003L-On	On Leash Pet Station Quantity Of 16+	\$339.00		\$
1003L-Off	Off Leash Pet Station Quantity Of 1-7	\$359.00		\$
1003L-Off	Off Leash Pet Station Quantity Of 8-15	\$349.00		\$
1003L-Off	Off Leash Pet Station Quantity Of 16+	\$339.00		\$

Contact Number:

Payment Method:

Check Number

Card Number

Replacement Parts And Accessories

Model #	Product Name	Price Ea	Quantity	Total
1102	Set Of 2 Keys	\$3.00		\$
1105	Replacement Lock With 2 Keys	\$12.00		\$
1203	On Leash Sign	\$25.00		\$
1204	Off Leash Sign	\$25.00		\$
1301-P	8' Galvanized Steel Telescopic Post	\$69.95		\$
1206A-L	Aluminum Trash Receptacle Quantity Of 1-30	\$199.00		\$
1206A-L	Aluminum Trash Receptacle Quantity Of 31-60	\$189.00		\$
1206A-L	Aluminum Trash Receptacle Quantity Of 61+	\$179.00		\$
1206-L	Steel Trash Receptacle Quantity Of 1-30	\$179.00		\$
1206-L	Steel Trash Receptacle Quantity Of 31-60	\$169.00		\$
1206-L	Steel Trash Receptacle Quantity Of 61+	\$159.00		\$
DECAL J	Junior Dispenser Decal 9" W X 8.25" H	\$5.95		\$
1002-L	Replacemet Lid W/Decal, Lock And Set Of 2 Keys	\$44.00		\$
1619	Maintenance Spray Paint	\$5.95		\$
1002-2	Aluminum Jr Dispenser Quantity Of 1-14	\$99.00		\$
1002-2	Aluminum Jr Dispenser Quantity Of 15-25	\$89.00		\$
1002-2	Aluminum Jr Dispenser Quantity Of 26-49	\$79.00		\$
1002-2	Aluminum Jr Dispenser Quantity Of 50+	\$75.00		\$

Exp Date: CVS Code:

Notes:



Shipping Cost

Over 250 Lbs Must Be Quoted

Purchasing \$	Shipping \$
\$0 To \$10	\$3.00
\$10.01 To \$23	\$7.00
\$23.01 To \$100	\$12.00
\$100.01 To \$220	\$29.00
\$220.01 To \$300	\$40.00
\$300.01 To \$350	\$45.00
\$350.01 To \$400	\$55.00
\$400.01 To \$450	\$60.00
\$450.01 To \$500	\$70.00
\$500.01 To \$600	\$80.00
\$600.01 To \$700	\$90.00
\$700.01 To \$800	\$95.00
\$800.01 To \$900	\$100.00
\$900.01 To \$1000	\$110.00
\$1000.01 To \$1100	\$135.00
Over \$1100.01	\$160.00

Orders Outside Continental USA Must Be Quoted

Item Subtotal: \$

Seller Not Responsible For Customs Delays

Shipping (Use Chart On Left) \$

Clients Are Responsible For All Brokerage Fees And Custom Charges

MO Sales Tax, If Applicable (7.613%) \$

Total: \$

All Returns Are Subject To 20% Restocking Fee And All Shipping Paid By Purchaser

**Aluminum Mini Junior Pet Station
Aluminum Trash Receptacle**

314-770-1500
9am-4pm Mon-Fri



DOGIPOT™

The Smart Solution to Dog Pollution.

www.yuckos.com



Comes With A Choice Of 'On Leash' Or 'Off Leash' Signage



On Leash #1203



Off Leash #1204

Signage

- 18-Gauge Aluminum
- Reflective
- 18" High By 11.5" Wide

Aluminum Mini Junior Dispenser

- #1002M-2
- 14 Gauge Aluminum
- Powder Coated Aluminum
- Forest Green
- Front Locking Access Panel
- Clear Instructions Posted
- Easy & Versatile Installation
- Measures 12.5" x 9" x 3.5"
- Front Panel Hinged To Bottom



2 Rolls Of Litter Bags

- #1402
- 200 Bags Per Roll (400 Bags)
- 8" Wide x 13" Tall
- Perforated Bag Separation

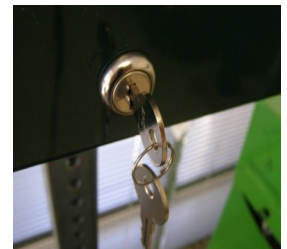


Set Of 2 Keys

- #1102

Lock

- #1105



Aluminum Trash Receptacle

- #1206A-L
- 23" Tall - 11.5" Diameter
- 10 Gallon
- 11 Gauge
- Powdered Coated
- Forest Green



1 Box Of Trash Liner Bags

- #1404
- 50 Bags Per Box
- Heavy-Duty, 10-15 Gallons



8' Telescoping Galvanized Steel Post

- #1301-P
- 2" W x 2" D x 4'-8' H

Available Replacements:

- Lock With Set Of Two Keys #1105
- Set Of Two Keys #1102
- Maintenance Spray Paint #1619

Replacement Keys, Locks, And Other Parts Available

Yucko's

314-770-1500
9am-4pm Mon-Fri



www.yuckos.com

ALUMINUM DOGIPOT® MINI JUNIOR BAG DISPENSER (ITEM #1002M-2) SPECIFICATION, INSTALLATION AND OPERATION SHEET

YOUR ALUMINUM DOGIPOT® MINI JUNIOR BAG DISPENSER INCLUDES:

- Aluminum **DOGIPOT®** MINI JUNIOR Bag Dispenser
- Mounting hardware for 1¾" x 1¾" to 2" x 2" square or channel post, (two (1) 2½" x ¼" bolts, washers and locknuts)
- Two (2) keys for dispenser locking front access panel
- Two (2) rolls of **DOGIPOT®** Smart Litter Pick Up Bags™ (ITEM #1402) (200 count per roll), installed in **DOGIPOT®** MINI JUNIOR Bag Dispenser

PLEASE CHECK THE ABOVE INVENTORY AND CALL YOUR DISTRIBUTOR IF ANY PARTS ARE MISSING.

INSTALLATION AND OPERATION INSTRUCTIONS

1. Select a good visible spot in your community or park where you want to install the Aluminum **DOGIPOT®** MINI JUNIOR Bag Dispenser, such as on a post, building wall, tree, fence post, street sign post, etc. The recommended installation height of the Aluminum **DOGIPOT®** MINI JUNIOR Bag Dispenser is 60" (5').
2. Remove the two keys from the back of the dispenser. Insert key into the universal cam lock on the front access panel and turn one quarter to the right or left. Pull the front access panel towards you and lower from the body of the Dispenser.
3. The Dispenser has two pre-drilled holes through the back wall. These two holes and the mounting hardware included match with the holes of every standard channel or square telescopic mounting post.
4. To refill the Dispenser with **DOGIPOT®** Smart Litter Pick Up Bags™, take two (2) boxed rolls, and tear off the perforated seal from each box. Place the two boxes on top of each other on the shelf in the body of the Dispenser with the opening of the boxes facing the front. Close the front locking access panel and lock with the cam lock key.
5. Reach through the two diamond shaped openings and find the raw edge of the first bag through each of the slots and pull until the **DOGIPOT®** logo is visible.
6. **ENJOY WATCHING PET OWNERS PICK UP AFTER THEIR DOGS!**



Yucko's

314-770-1500
9am-4pm Mon-Fri



The Smart Solution to Dog Pollution.

www.yuckos.com

ALL ALUMINUM DOGIPOT® PET STATION (ITEM #1003A-L) SPECIFICATION, INSTALLATION AND OPERATION SHEET



YOUR ALL ALUMINUM DOGIPOT® PET STATION INCLUDES:

- Aluminum **DOGIPOT®** Pet Sign, with mounting hardware (two (2) 2¼" x ¼" tap bolts, washers and locknuts)
- Aluminum **DOGIPOT®** JUNIOR Bag Dispenser (ITEM #1002-2), with mounting hardware (two (2) 2½" x ¼" bolts, washers and locknuts)
- Two (2) keys for Dispenser bottom locking access panel
- Two (2) rolls of **DOGIPOT®** Smart Litter Pick Up Bags™ (ITEM #1402) (200 count per roll), installed in **DOGIPOT®** JUNIOR Bag Dispenser
- 10 Gallon Aluminum Trash Receptacle (ITEM #1206A-L) with attached hinged lid and trash liner bag retainer bands, with mounting hardware (one (1) 2½" x ¼" and (1) 2¾" x ¼" bolts, washers and locknuts)
- One (1) box **DOGIPOT®** Smart Liner Trash Bags™ (ITEM #1404) (50 count)

SEPARATE SHIPPING BOX

- 2" x 2" x 4' - 8' Galvanized Steel Telescopic Mounting Post, with installation hardware (two (2) carriage bolts (2½" x 5/16"), washers and locknuts)

PLEASE CHECK THE ABOVE INVENTORY AND CALL YOUR DISTRIBUTOR IF ANY PARTS ARE MISSING.

INSTALLATION AND OPERATION INSTRUCTIONS

1. Select a good visible spot in your community or park where you want to install the All Aluminum **DOGIPOT®** Pet Station.
2. Prior to installation, remove the 1¾" x 1¾" x 4' portion of the mounting post from the 2" x 2" x 4' portion of the mounting post before cementing. **Insert the larger portion of the mounting post (2" x 2" x 4') approximately 14" into an 18" deep by 8" diameter hole filled with a 40 lb. bag of "ready to use" concrete mix.** To stabilize the post while cementing, place a rod, bolt or other device through the two bottom holes, prior to inserting into the ground and cementing. Level the post in a straight vertical position and let concrete dry for at least 12 hours.
3. After the concrete is dry, insert the smaller portion of the post (1¾" x 1¾" x 4') into the larger cemented portion of the post (2" x 2" x 4') until the the first 4 holes are lined up between the two posts. Use two (2) carriage bolts, washers and locknuts to fix the telescopic post in position, the upper bolt in the top overlapping hole, pointing from right to left and the lower bolt in the bottom overlapping hole, pointing from front to back. The total height above ground with both post parts should now be approximately 6'6".
4. Start by installing the **DOGIPOT®** Pet Sign on top of the 1¾" post, with the upper hole matching the most upper hole in the square post using the enclosed 2¼" bolts, washers and locknuts. Continue installing the Aluminum **DOGIPOT®** JUNIOR Bag Dispenser according to the mounting instructions enclosed with the Dispenser, ensuring that he upper edge of the Dispenser is approximately 1" below the lower edge of the **DOGIPOT®** Pet Sign.
5. Install the Aluminum **DOGIPOT®** Trash Receptacle through the pre-drilled top oval holes in the back wall of the receptacle and through the square post with the remaining bolts, washers and locknuts, using the 2¾" bolt on top and the 2½" bolt below. **The upper edge of the trash receptacle must be approximately 12½" below the lower end of your Aluminum DOGIPOT® JUNIOR Bag Dispenser so that the lid may completely open.** The upper back wall of the trash receptacle is supposed to touch the head of the lower post carriage bolt, which creates some space between the post and the receptacle, allowing the receptacle lid to open from left to right, without touching the post.
6. Insert one of the enclosed **DOGIPOT®** Smart Liner Trash Bags™ into the trash receptacle, folding it over the interior retainer bands. Proper installation and general maintenance will help expand the life of the trash receptacle and dispenser unit. **DOGIPOT®** offers Product Maintenance Paint to help cover any paint chips which may occur in the powder coating during the life of the product.

7. ENJOY WATCHING PET OWNERS PICK UP AFTER THEIR DOGS!

Yucko's



314-770-1500
9am-4pm Mon-Fri

DOGIPOT®



The Smart Solution to Dog Pollution.

www.yuckos.com

ALL ALUMINUM DOGIPOT® PET STATION (ITEM #1003A-L) SPECIFICATION, INSTALLATION AND OPERATION SHEET

(A) DOGIPOT® PET SIGN (ITEM #1203 / 1204)

- H: 18" x W: 11.5"
- 14 gauge reflective aluminum
- Weight: 1.35 lbs.
- Forest green on white

(B) ALUMINUM DOGIPOT® JUNIOR BAG DISPENSER (ITEM #1002-2)

- H: 15"5" x W: 9.4" x D: 3.25"
- 12 gauge powder coated forest green aluminum
- Weight: 7 lbs.
- 400 bag capacity
- Two diamond shaped bag dispenser slots
- Front locking access panel
- Clearly posted instructions

(C) ALUMINUM TRASH RECEPTACLE WITH LID (ITEM #1206A-L)

- H: 23" x 11.5" diameter
- 11 gauge powder coated forest green aluminum
- Weight: 9 lbs.
- 10 gallon capacity with interior trash liner bag retainer bands
- Attached aluminum hinged lid
- One (1) box 50 count **DOGIPOT®** Smart Liner Trash Bags™ (ITEM #1404) included (5 lbs.)

(D) TELESCOPIC GALVANIZED STEEL MOUNTING POST (ITEM #1301-P)

- 2" x 2" x 8'
- 11 gauge galvanized steel
- Weight: 15 lbs.

TOTAL HEIGHT FROM ABOVE GROUND:

- 6'6"

SPACE BETWEEN DISPENSER AND SIGN:

- 1.0"

SPACE BETWEEN RECEPTACLE AND DISPENSER:

- 12.5"

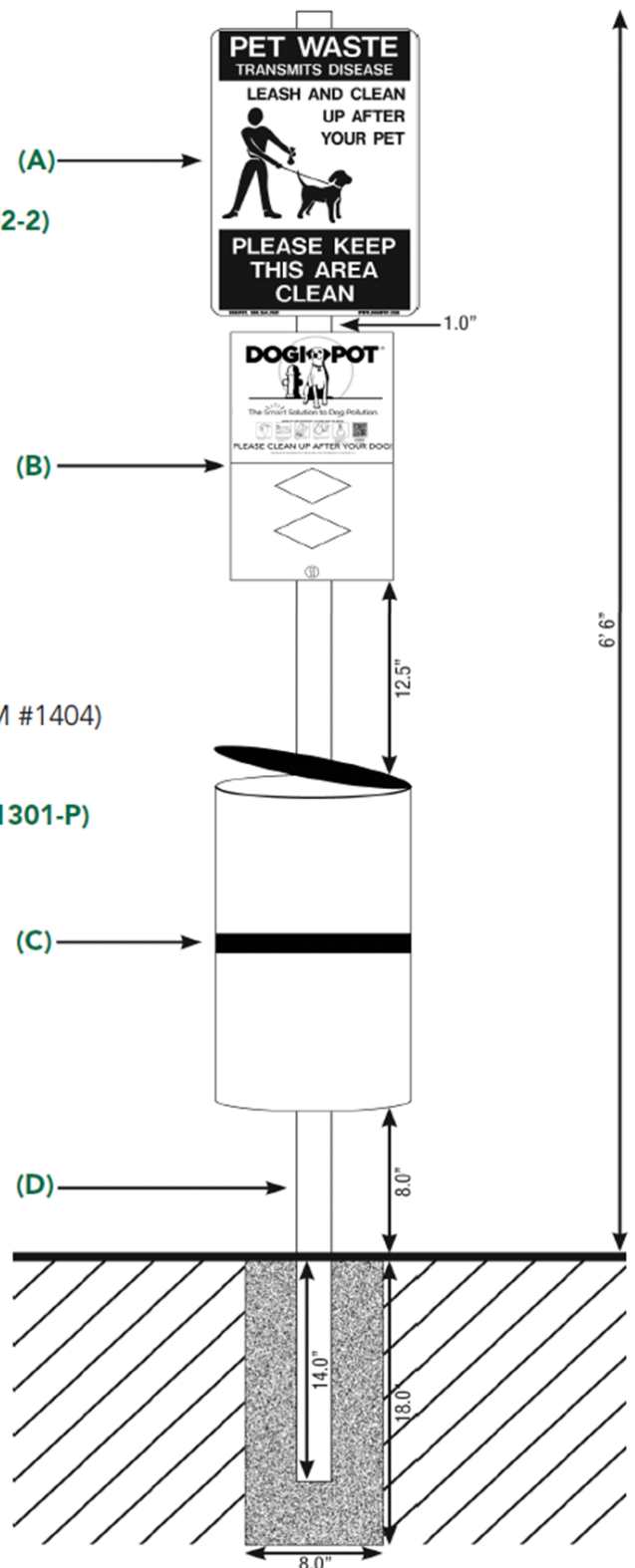
SPACE BETWEEN GROUND AND RECEPTACLE:

- 8.0"

HOLE:

- D: 18.0" x W: 8.0"
- Fill with 40 lbs. "ready to use" cement

TOTAL SHIP WEIGHT: 45 LBS.
(MOUNTING HARDWARE INCLUDED)



Aluminum Mini Junior Pet Station Steel Trash Receptacle

314-770-1500
9am-4pm Mon-Fri



DOGIPOT™



www.yuckos.com



Comes With A Choice Of 'On Leash' Or 'Off Leash' Signage



On Leash #1203



Off Leash #1204

Signage

- 18-Gauge Aluminum
- Reflective
- 18" High By 11.5" Wide

Aluminum Mini Junior Dispenser

- #1002M-2
- 14 Gauge Aluminum
- Powder Coated Aluminum
- Forest Green
- Front Locking Access Panel
- Clear Instructions Posted
- Easy & Versatile Installation
- Measures 12.5" x 9" x 3.5"
- Front Panel Hinged To Bottom



2 Rolls Of Litter Bags

- #1402
- 200 Bags Per Roll (400 Bags)
- 8" Wide x 13" Tall
- Perforated Bag Separation

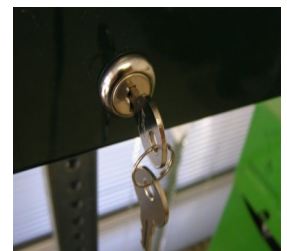


Set Of 2 Keys

- #1102

Lock

- #1105



Steel Trash Receptacle

- #1206-L
- 23" Tall - 11.5" Diameter
- 10 Gallon
- 16 Gauge
- Powdered Coated
- Forest Green



1 Box Of Trash Liner Bags

- #1404
- 50 Bags Per Box
- Heavy-Duty, 10-15 Gallons



8' Telescoping Galvanized Steel Post

- #1301-P
- 2" W x 2" D x 4'-8' H

Available Replacements:

- Lock With Set Of Two Keys #1105
- Set Of Two Keys #1102
- Maintenance Spray Paint #1619

Replacement Keys, Locks, And Other Parts Available

Yucko's

314-770-1500
9am-4pm Mon-Fri



www.yuckos.com

ALUMINUM DOGIPOT® MINI JUNIOR BAG DISPENSER (ITEM #1002M-2) SPECIFICATION, INSTALLATION AND OPERATION SHEET

YOUR ALUMINUM DOGIPOT® MINI JUNIOR BAG DISPENSER INCLUDES:

- Aluminum **DOGIPOT®** MINI JUNIOR Bag Dispenser
- Mounting hardware for 1¾" x 1¾" to 2" x 2" square or channel post, (two (1) 2½" x ¼" bolts, washers and locknuts)
- Two (2) keys for dispenser locking front access panel
- Two (2) rolls of **DOGIPOT®** Smart Litter Pick Up Bags™ (ITEM #1402) (200 count per roll), installed in **DOGIPOT®** MINI JUNIOR Bag Dispenser

PLEASE CHECK THE ABOVE INVENTORY AND CALL YOUR DISTRIBUTOR IF ANY PARTS ARE MISSING.

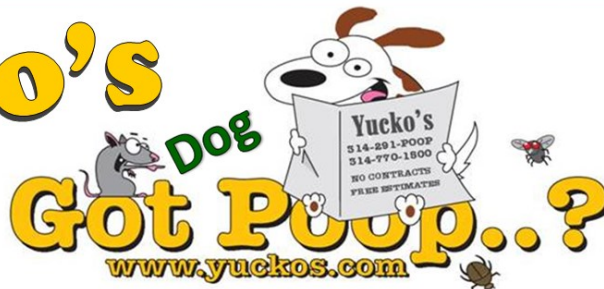
INSTALLATION AND OPERATION INSTRUCTIONS

1. Select a good visible spot in your community or park where you want to install the Aluminum **DOGIPOT®** MINI JUNIOR Bag Dispenser, such as on a post, building wall, tree, fence post, street sign post, etc. The recommended installation height of the Aluminum **DOGIPOT®** MINI JUNIOR Bag Dispenser is 60" (5').
2. Remove the two keys from the back of the dispenser. Insert key into the universal cam lock on the front access panel and turn one quarter to the right or left. Pull the front access panel towards you and lower from the body of the Dispenser.
3. The Dispenser has two pre-drilled holes through the back wall. These two holes and the mounting hardware included match with the holes of every standard channel or square telescopic mounting post.
4. To refill the Dispenser with **DOGIPOT®** Smart Litter Pick Up Bags™, take two (2) boxed rolls, and tear off the perforated seal from each box. Place the two boxes on top of each other on the shelf in the body of the Dispenser with the opening of the boxes facing the front. Close the front locking access panel and lock with the cam lock key.
5. Reach through the two diamond shaped openings and find the raw edge of the first bag through each of the slots and pull until the **DOGIPOT®** logo is visible.
6. **ENJOY WATCHING PET OWNERS PICK UP AFTER THEIR DOGS!**



Yucko's

314-770-1500
9am-4pm Mon-Fri



www.yuckos.com

DOGIPOT® PET STATION (ITEM #1003-L)

SPECIFICATION, INSTALLATION AND OPERATION SHEET



YOUR ALUMINUM DOGIPOT® PET STATION INCLUDES:

- Aluminum **DOGIPOT®** Pet Sign, with mounting hardware (two (2) 2¼" X ¼" tap bolts, washers and locknuts)
- Aluminum **DOGIPOT®** JUNIOR Bag Dispenser (ITEM #1002-2), with mounting hardware (two (2) 2½" X ¼" bolts, washers and locknuts)
- Two (2) keys for Dispenser locking front access panel
- Two (2) rolls of **DOGIPOT®** Smart Litter Pick Up Bags™ (ITEM #1402) (200 count per roll), installed in **DOGIPOT®** JUNIOR Bag Dispenser
- 10 Gallon Steel Trash Receptacle (ITEM #1206-L) with attachable lid and trash liner bag retainer bands, with mounting hardware (one (1) 2½" x ¼" and (1) 2¾" x ¼" bolts, washers and locknuts)
- One (1) box **DOGIPOT®** Smart Liner Trash Bags™ (ITEM #1404) (50 count)

SEPARATE SHIPPING BOX

- 2" x 2" x 4' - 8' Galvanized Steel Telescopic Mounting Post, with installation hardware (two (2) carriage bolts (2½" x 5/16"), washers and locknuts)

PLEASE CHECK THE ABOVE INVENTORY AND CALL YOUR DISTRIBUTOR IF ANY PARTS ARE MISSING.

INSTALLATION AND OPERATION INSTRUCTIONS

1. Select a good visible spot in your community or park where you want to install the Aluminum **DOGIPOT®** Pet Station.
2. Prior to installation, remove the 1¾" x 1¾" x 4' portion of the mounting post from the 2" x 2" x 4' portion of the mounting post before cementing. **Insert the larger portion of the mounting post (2" x 2" x 4') approximately 14" into an 18" deep by 8" diameter hole filled with a 40 lb. bag of "ready to use" concrete mix.** To stabilize the post while cementing, place a rod, bolt or other device through the two bottom holes, prior to inserting into the ground and cementing. Level the post in a straight vertical position and let concrete dry for at least 12 hours.
3. After the concrete is dry, insert the smaller portion of the post (1¾" x 1¾" x 4') into the larger cemented portion of the post (2' x 2' x 4') until the the first 4 holes are lined up between the two posts. Use two (2) carriage bolts, washers and locknuts to fix the telescopic post in position. , the upper bolt in the top overlapping hole, pointing from right to left and the lower bolt in the bottom overlapping hole, pointing from front to back. The total height above ground with both post parts should now be approximately 6"6".
4. Start by installing the **DOGIPOT®** Pet Sign on top of the 1¾" post, with the upper hole matching the most upper hole in the square post using the enclosed 2¼" bolts, washers and locknuts. Continue installing the Aluminum **DOGIPOT®** JUNIOR Bag Dispenser according to the mounting instruction enclosed with the Dispenser, ensuring that he upper edge of the Dispenser is approximately **1" below** the lower edge of the **DOGIPOT®** Pet Sign.
5. Install the Steel **DOGIPOT®** Trash Receptacle through the pre-drilled top oval holes in the back wall of the receptacle and through the square post with the remaining bolts, washers and locknuts, using the 2¾ bolt on top and the 2½ bolt below. **The upper edge of the trash receptacle must be approximately 12½" below the lower end of your Aluminum DOGIPOT® JUNIOR Bag Dispenser so that the lid may completely open.** The upper back wall of the trash receptacle is supposed to touch the head of the lower post carriage bolt, which creates some space between the post and the receptacle, allowing the receptacle lid to open from left to right, without touching the post.
6. Insert one of the enclosed **DOGIPOT®** Smart Liner Trash Bags™ into the trash receptacle, folding it over the interior retainer bands. As with any powder coated steel product constantly exposed to the elements, proper installation and general maintenance will help prevent and minimize corrosion and expand the life of the steel trash receptacle (can be upgraded to aluminium (ITEM #1206A-L) for an additional charge). **DOGIPOT®** offers Product Maintenance Paint to help cover any paint chips which may occur in the powder coating during the life of the product.
7. **ENJOY WATCHING PET OWNERS PICK UP AFTER THEIR DOGS!**

Yucko's



DOG Got Poop..?

www.yuckos.com

314-770-1500
9am-4pm Mon-Fri

DOGIPOT®



The Smart Solution to Dog Pollution.

www.yuckos.com

DOGIPOT® PET STATION (ITEM #1003-L)

SPECIFICATION, INSTALLATION AND OPERATION SHEET

(A) DOGIPOT® PET SIGN (ITEM #1203 / 1204)

- H: 18" x W: 11.5"
- 14 gauge reflective aluminum
- Weight: 1.35 lbs.
- Forest green on white

(A)



(B) ALUMINUM DOGIPOT® JUNIOR BAG DISPENSER (ITEM #1002-2)

- H: 15'5" x W: 9.4" x D: 3.25"
- 12 gauge powder coated forest green aluminum
- Weight: 7 lbs.
- 400 bag capacity
- Two diamond shaped bag dispenser slots
- Front locking access panel
- Clearly posted instructions

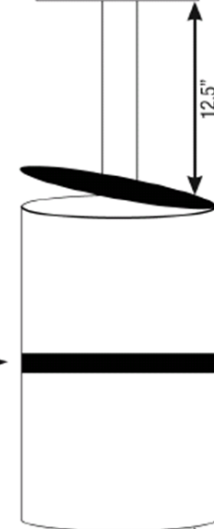
(B)



(C) STEEL TRASH RECEPTACLE WITH LID (ITEM #1206-L)

- H: 23" x 11.5" diameter
- 16 gauge powder coated forest green steel
- Weight: 14.6 lbs.
- 10 gallon capacity with interior trash liner bag retainer bands
- Attached stainless steel hinged lid
- One (1) box 50 count **DOGIPOT®** Smart Liner Trash Bags™ (ITEM #1404) included (5 lbs.)

(C)



(D) TELESCOPIC GALVANIZED STEEL MOUNTING POST (ITEM #1301-P)

- 2" x 2" x 8'
- 11 gauge galvanized steel
- Weight: 15 lbs.

(D)

TOTAL HEIGHT FROM ABOVE GROUND:

- 6'.6"

SPACE BETWEEN DISPENSER AND SIGN:

- 1.0"

SPACE BETWEEN RECEPTACLE AND DISPENSER:

- 12.5"

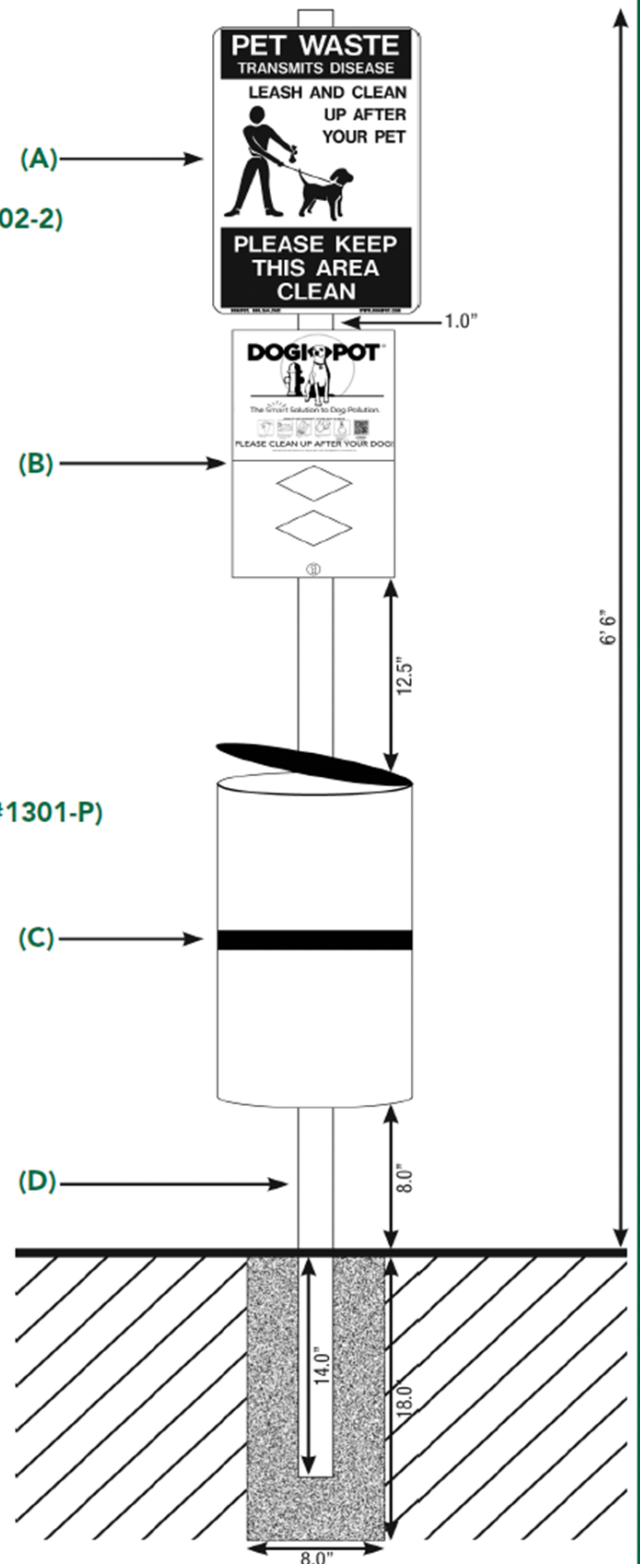
SPACE BETWEEN GROUND AND RECEPTACLE:

- 8.0"

HOLE:

- D: 18.0" x W: 8.0"
- Fill with 40 lbs. "ready to use" cement

TOTAL SHIP WEIGHT: 45 LBS.
(MOUNTING HARDWARE INCLUDED)



Yucko's

3027 Charmbrook Lane
Maryland Heights, MO 63043

yuckos@yuckos.com

Tel: 314-770-1500 Fax: 314-291-7667



Client Information
Shipping Address:

Aluminum Mini Junior Pet Station Order Form

Aluminum Mini Junior Pet Station With Aluminum Trash Receptacle

Billing Address: (If Different)

Model #	Product Name	Price Ea	Quantity	Total
Mini A On	On Leash Pet Station Quantity Of 1-7	\$349.00		\$
Mini A On	On Leash Pet Station Quantity Of 8-15	\$339.00		\$
Mini A On	On Leash Pet Station Quantity Of 16+	\$329.00		\$
Mini A Off	Off Leash Pet Station Quantity Of 1-7	\$349.00		\$
Mini A Off	Off Leash Pet Station Quantity Of 8-15	\$339.00		\$
Mini A Off	Off Leash Pet Station Quantity Of 16+	\$329.00		\$

Email Address:

Aluminum Mini Junior Pet Station With Steel Trash Receptacle

Contact Number:

Model #	Product Name	Price Ea	Quantity	Total
Mini S On	On Leash Pet Station Quantity Of 1-7	\$339.00		\$
Mini S On	On Leash Pet Station Quantity Of 8-15	\$329.00		\$
Mini S On	On Leash Pet Station Quantity Of 16+	\$319.00		\$
Mini S Off	Off Leash Pet Station Quantity Of 1-7	\$339.00		\$
Mini S Off	Off Leash Pet Station Quantity Of 8-15	\$329.00		\$
Mini S Off	Off Leash Pet Station Quantity Of 16+	\$319.00		\$

Payment Method:

Check Number

Card Number

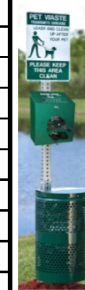
Replacement Parts And Accessories

Exp Date:

CVS Code:

Model #	Product Name	Price Ea	Quantity	Total
1102	Set Of 2 Keys	\$3.00		\$
1105	Replacement Lock With 2 Keys	\$12.00		\$
1203	On Leash Sign	\$25.00		\$
1204	Off Leash Sign	\$25.00		\$
1301-P	8' Galvanized Steel Telescopic Post	\$69.95		\$
1206A-L	Aluminum Trash Receptacle Quantity Of 1-30	\$199.00		\$
1206A-L	Aluminum Trash Receptacle Quantity Of 31-60	\$189.00		\$
1206A-L	Aluminum Trash Receptacle Quantity Of 61+	\$179.00		\$
1206-L	Steel Trash Receptacle Quantity Of 1-30	\$179.00		\$
1206-L	Steel Trash Receptacle Quantity Of 31-60	\$169.00		\$
1206-L	Steel Trash Receptacle Quantity Of 61+	\$159.00		\$
1619	Maintenance Spray Paint	\$5.95		\$
1002M-2	Aluminum Mini Jr Dispenser Quantity Of 1-14	\$89.00		\$
1002M-2	Aluminum Mini Jr Dispenser Quantity Of 15-25	\$80.00		\$
1002M-2	Aluminum Mini Jr Dispenser Quantity Of 26-49	\$75.00		\$
1002M-2	Aluminum Mini Jr Dispenser Quantity Of 50+	\$70.00		\$

Notes:



Shipping Cost

Over 250 Lbs Must Be Quoted

Purchasing \$	Shipping \$
\$0 To \$10	\$3.00
\$10.01 To \$23	\$7.00
\$23.01 To \$100	\$12.00
\$100.01 To \$220	\$29.00
\$220.01 To \$300	\$40.00
\$300.01 To \$350	\$45.00
\$350.01 To \$400	\$55.00
\$400.01 To \$450	\$60.00
\$450.01 To \$500	\$70.00
\$500.01 To \$600	\$80.00
\$600.01 To \$700	\$90.00
\$700.01 To \$800	\$95.00
\$800.01 To \$900	\$100.00
\$900.01 To \$1000	\$110.00
\$1000.01 To \$1100	\$135.00
Over \$1100.01	\$160.00

Smart Litter Pick Up Bags - Rolled 200 Bags Per Roll

Model #	Product Name	Price Ea	Quantity	Total
1402-S	Single Roll	\$10.95		\$
1402-10	10 Roll Case Of Litter Bags	\$81.00		\$
1402-20	20 Roll Case Of Litter Bags	\$152.00		\$
1402-30	30 Roll Case (Quantity 1-4 Cases)	\$216.00		\$
1402-30	30 Roll Case (Quantity 5-10 Cases)	\$189.00		\$
1402-30	30 Roll Case (Quantity 11-29 Cases)	\$177.00		\$
1402-30	30 Roll Case (Quantity 30+ Cases)	\$168.00		\$

Trash Liners 50 Bags Per Box

Model #	Product Name	Price Ea	Quantity	Total
1404	Trash Liner Bags (Quantity 1-7 Cases)	\$17.50		\$
1404	Trash Liner Bags (Quantity 8-15 Cases)	\$16.25		\$
1404	Trash Liner Bags (Quantity 16+ Cases)	\$15.00		\$

\$0 To \$10

\$10.01 To \$23

\$23.01 To \$100

\$100.01 To \$220

\$220.01 To \$300

\$300.01 To \$350

\$350.01 To \$400

\$400.01 To \$450

\$450.01 To \$500

\$500.01 To \$600

\$600.01 To \$700

\$700.01 To \$800

\$800.01 To \$900

\$900.01 To \$1000

\$1000.01 To \$1100

Over \$1100.01

All Returns Are Subject To 20% Restocking Fee And All Shipping Paid By Purchaser

Orders Outside Continental USA Must Be Quoted

Seller Not Responsible For Customs Delays

Clients Are Responsible For All Brokerage Fees And Custom Charges

Item Subtotal: \$

Shipping (Use Chart On Left) \$

MO Sales Tax, If Applicable (7.613%) \$

Total: \$

Aluminum Header Pak Junior Pet Station
Aluminum Trash Receptacle
#1003HPA-L

314-770-1500
 9am-4pm Mon-Fri



Comes With A Choice Of 'On Leash' Or 'Off Leash' Signage



On Leash #1203



Off Leash #1204

Signage

- 18-Gauge Aluminum
- Reflective
- 18" High By 11.5" Wide

Aluminum Header Pak Junior Dispenser

- #1002HP-4
- 12 Gauge Aluminum
- Powder Coated Aluminum
- Forest Green
- Locking Access Panel
- Clear Instructions Posted
- Easy & Versatile Installation
- Measures 15.5" x 9.4" x 3.25"



2 Header Pak Litter Bag Cards

- #1402HP
- 200 Bags Per Card (400 Bags)
- 8" Wide x 13" Tall
- Perforated Bag Separation
- Opaque Green

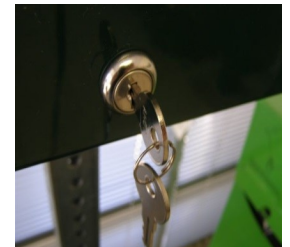


Set Of 2 Keys

- #1102

Lock

- #1111



Aluminum Trash Receptacle

- #1206A-L
- 23" Tall - 11.5" Diameter
- 10 Gallon
- 11 Gauge
- Powdered Coated
- Forest Green



1 Box Of Trash Liner Bags

- #1404
- 50 Bags Per Box
- Heavy-Duty, 10-15 Gallons



8' Telescoping Galvanized Steel Post

- #1301-P
- 2" W x 2" D x 4'-8' H

Available Replacements:

- Header Pak Replacement Lid With Decal, Lock And Two Keys #1002HP-L
- 3-Prong Bag Holder #1002HP-H
- Lock With Set Of Two Keys #1111
- Set Of Two Keys #1102
- Header Pak Junior Dispenser Decal 9" W X 7.5" H
- Maintenance Spray Paint #1619

Replacement Keys, Locks, And Other Parts Available

Yucko's

314-770-1500
9am-4pm Mon-Fri



www.yuckos.com

ALUMINUM DOGIPOT® HEADER PAK PET STATION (ITEM #1003HPA-L) SPECIFICATION, INSTALLATION AND OPERATION SHEET



YOUR ALUMINUM DOGIPOT® HEADER PAK PET STATION INCLUDES:

- Aluminum **DOGIPOT**® Pet Sign, with mounting hardware (two (2) 2¼" x ¼" tap bolts, washers and locknuts)
- Aluminum **DOGIPOT**® HEADER PAK Bag Dispenser (ITEM #1002HP-4), with mounting hardware (two (2) 2½" x ¼" bolts, washers and locknuts)
- Two (2) keys for Dispenser locking front access panel
- Four (4) HEADER PAKS OF **DOGIPOT**® Smart Litter Pick Up Bags™ (100 count per pak), installed in **DOGIPOT**® HEADER PAK JUNIOR Bag Dispenser
- 10 Gallon Aluminum Trash Receptacle (ITEM #1206A-L) with attached hinged lid and trash liner bag retainer bands, with mounting hardware (one (1) 2½" x ¼" and (1) 2¾" x ¼" bolts, washers and locknuts)
- One (1) box **DOGIPOT**® Smart Liner Trash Bags™ (ITEM #1404) (50 Count)

SEPARATE SHIPPING BOX

- 2" x 2" x 4' - 8' Galvanized Steel Telescopic Mounting Post, with installation hardware (two (2) carriage bolts (2½" x 5/16"), washers and locknuts)

PLEASE CHECK THE ABOVE INVENTORY AND CALL YOUR DISTRIBUTOR IF ANY PARTS ARE MISSING.

INSTALLATION AND OPERATION INSTRUCTIONS

1. Select a good visible spot in your community or park where you want to install the Aluminum **DOGIPOT**® HEADER PAK Pet Station.
2. Prior to installation, remove the 1¾" x 1¾" x 4' portion of the mounting post from the 2" x 2" x 4' portion of the mounting post before cementing. **Insert the larger portion of the mounting post (2" x 2" x 4') approximately 14" into an 18" deep by 8" diameter hole filled with a 40 lb. bag of "ready to use" concrete mix.** To stabilize the post while cementing, place a rod, bolt or other device through the two bottom holes, prior to inserting into the ground and cementing. Level the post in a straight vertical position and let concrete dry for at least 12 hours.
3. After the concrete is dry, insert the smaller portion of the post (1¾" x 1¾" x 4') into the larger cemented portion of the post (2' x 2' x 4') until the first 4 holes are lined up between the two posts. Use two (2) carriage bolts, washers and locknuts to fix the telescopic post in position, the upper bolt in the top overlapping hole, pointing from right to left and the lower bolt in the bottom overlapping hole, pointing from front to back. The total height above ground with both post parts should now be approximately 6"6".
4. Start by installing the **DOGIPOT**® Pet Sign on top of the 1¾" post, with the upper hole matching the most upper hole in the square post using the enclosed 2¼" bolts, washers and locknuts. Continue installing the Aluminum **DOGIPOT**® HEADER PAK JUNIOR Bag Dispenser according to the mounting instruction enclosed with the Dispenser, ensuring that the upper edge of the Dispenser is approximately 1" **below** the lower edge of the **DOGIPOT**® Pet Sign.
5. Install the Aluminum **DOGIPOT**® Trash Receptacle through the pre-drilled top oval holes in the back wall of the receptacle and through the square post with the remaining bolts, washers and locknuts, using the 2¾" bolt on top and the 2½" bolt below. **The upper edge of the trash receptacle must be approximately 12½" below the lower end of your Aluminum DOGIPOT® HEADER PAK JUNIOR Bag Dispenser so that the lid may completely open.** The upper back wall of the trash receptacle is supposed to touch the head of the lower post carriage bolt, which creates some space between the post and the receptacle, allowing the receptacle lid to open from left to right, without touching the post.
6. Insert one of the enclosed **DOGIPOT**® Smart Liner Trash Bags™ into the trash receptacle, folding it over the interior retainer bands. Proper installation and general maintenance will help prevent and minimize corrosion and expand the life of the aluminum trash receptacle and dispenser unit. **DOGIPOT**® offers Product Maintenance Paint to help cover any paint chips which may occur in the powder coating during the life of the product.
7. **ENJOY WATCHING PET OWNERS PICK UP AFTER THEIR DOGS!**

Yucko's



DOGIPOT®

The Smart Solution to Dog Pollution.

www.yuckos.com

314-770-1500
9am-4pm Mon-Fri

ALUMINUM DOGIPOT® HEADER PAK PET STATION (ITEM #1003HPA-L) SPECIFICATION, INSTALLATION AND OPERATION SHEET

(A) DOGIPOT® PET SIGN (ITEM #1203 / 1204)

- H: 18" x W: 11.5"
- 14 gauge reflective aluminum
- Weight: 1.35 lbs.
- Forest green on white

(B) ALUMINUM DOGIPOT® HEADER PAK JUNIOR BAG DISPENSER (ITEM #1002HP-4)

- H: 15'5" x W: 9.4" x D: 3.25"
- 12 gauge powder coated forest green aluminum
- Weight: 7 lbs.
- 400 bag capacity
- One bag dispenser slot
- Front locking access panel
- Clearly posted instructions

(C) ALUMINUM TRASH RECEPTACLE WITH LID (ITEM #1206A-L)

- H: 23" x 11.5" diameter
- 16 gauge powder coated forest green aluminum
- Weight: 14.6 lbs.
- 10 gallon capacity with interior trash liner bag retainer bands
- Attached aluminum hinged lid
- One (1) box 50 count **DOGIPOT®** Smart Liner Trash Bags™ (ITEM #1404) included (5 lbs.)

(D) TELESCOPIC GALVANIZED STEEL MOUNTING POST (ITEM #1301-P)

- 2" x 2" x 8'
- 11 gauge galvanized steel
- Weight: 15 lbs.

TOTAL HEIGHT FROM ABOVE GROUND:

- 6'.6"

SPACE BETWEEN DISPENSER AND SIGN:

- 1.0"

SPACE BETWEEN RECEPTACLE AND DISPENSER:

- 12.5"

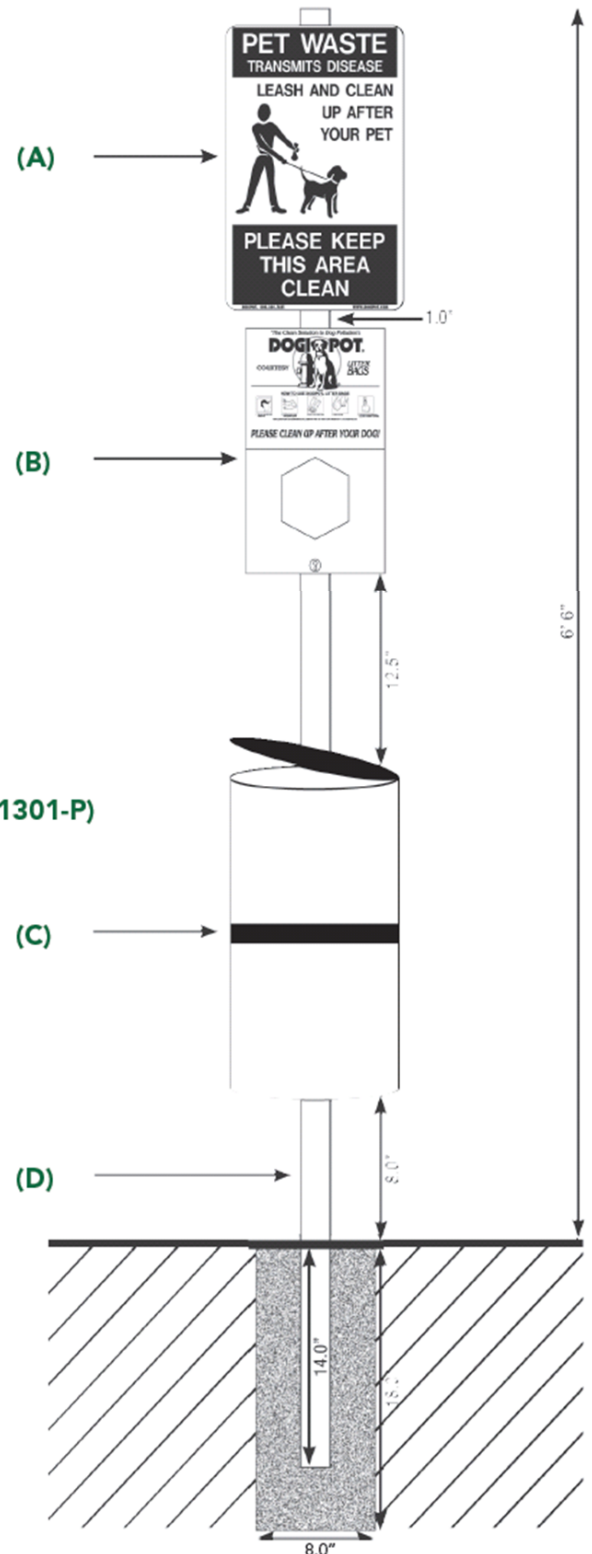
SPACE BETWEEN GROUND AND RECEPTACLE:

- 8.0"

HOLE:

- D: 18.0" x W: 8.0"
- Fill with 40 lbs. "ready to use" cement

TOTAL SHIP WEIGHT: 45 LBS.
(MOUNTING HARDWARE INCLUDED)



**Aluminum Header Pak Junior Pet Station
Steel Trash Receptacle
#1003HP-L**

314-770-1500
9am-4pm Mon-Fri



Comes With A Choice Of 'On Leash' Or 'Off Leash' Signage



On Leash #1203



Off Leash #1204

Signage

- 18-Gauge Aluminum
- Reflective
- 18" High By 11.5" Wide

Aluminum Header Pak Junior Dispenser

- #1002HP-4
- 12 Gauge Aluminum
- Powder Coated Aluminum
- Forest Green
- Locking Access Panel
- Clear Instructions Posted
- Easy & Versatile Installation
- Measures 15.5" x 9.4" x 3.25"



2 Header Pak Litter Bag Cards

- #1402HP
- 200 Bags Per Card (400 Bags)
- 8" Wide x 13" Tall
- Perforated Bag Separation
- Opaque Green

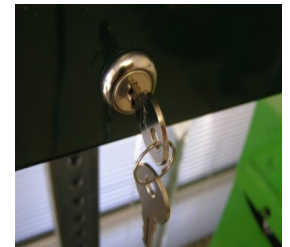


Set Of 2 Keys

- #1102

Lock

- #1111



Steel Trash Receptacle

- #1206-L
- 23" Tall - 11.5" Diameter
- 10 Gallon
- 16 Gauge
- Powdered Coated
- Forest Green



1 Box Of Trash Liner Bags

- #1404
- 50 Bags Per Box
- Heavy-Duty, 10-15 Gallons



8' Telescoping Galvanized Steel Post

- #1301-P
- 2" W x 2" D x 4'-8' H

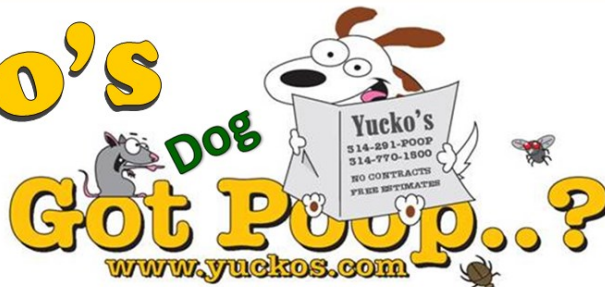
Available Replacements:

- Header Pak Replacement Lid With Decal, Lock And Two Keys #1002HP-L
- 3-Prong Bag Holder #1002HP-H
- Lock With Set Of Two Keys #1111
- Set Of Two Keys #1102
- Header Pak Junior Dispenser Decal 9" W X 7.5" H
- Maintenance Spray Paint #1619

Replacement Keys, Locks, And Other Parts Available

Yucko's

314-770-1500
9am-4pm Mon-Fri



www.yuckos.com

ALUMINUM DOGIPOT® HEADER PAK PET STATION (ITEM #1003HP-L) SPECIFICATION, INSTALLATION AND OPERATION SHEET



YOUR ALUMINUM DOGIPOT® HEADER PAK PET STATION INCLUDES:

- Aluminum **DOGIPOT®** Pet Sign, with mounting hardware (two (2) 2¼" x ¼" tap bolts, washers and locknuts)
- Aluminum **DOGIPOT®** HEADER PAK Bag Dispenser (ITEM #1002HP-4), with mounting hardware (two (2) 2½" x ¼" bolts, washers and locknuts)
- Two (2) keys for Dispenser locking front access panel
- Four (4) HEADER PAKS OF **DOGIPOT®** Smart Litter Pick Up Bags™ (100 count per pak), installed in **DOGIPOT®** HEADER PAK JUNIOR Bag Dispenser
- 10 Gallon Steel Trash Receptacle (ITEM #1206-L) with attached hinged lid and trash liner bag retainer bands, with mounting hardware (one (1) 2½" x ¼" and (1) 2¾" x ¼" bolts, washers and locknuts)
- One (1) box **DOGIPOT®** Smart Liner Trash Bags™ (ITEM #1404) (50 Count)

SEPARATE SHIPPING BOX

- 2" x 2" x 4' - 8' Galvanized Steel Telescopic Mounting Post, with installation hardware (two (2) carriage bolts (2½" x 5/16"), washers and locknuts)

PLEASE CHECK THE ABOVE INVENTORY AND CALL YOUR DISTRIBUTOR IF ANY PARTS ARE MISSING.

INSTALLATION AND OPERATION INSTRUCTIONS

1. Select a good visible spot in your community or park where you want to install the Aluminum **DOGIPOT®** HEADER PAK Pet Station.
2. Prior to installation, remove the 1¾" x 1¾" x 4' portion of the mounting post from the 2" x 2" x 4' portion of the mounting post before cementing. **Insert the larger portion of the mounting post (2" x 2" x 4') approximately 14" into an 18" deep by 8" diameter hole filled with a 40 lb. bag of "ready to use" concrete mix.** To stabilize the post while cementing, place a rod, bolt or other device through the two bottom holes, prior to inserting into the ground and cementing. Level the post in a straight vertical position and let concrete dry for at least 12 hours.
3. After the concrete is dry, insert the smaller portion of the post (1¾" x 1¾" x 4') into the larger cemented portion of the post (2' x 2' x 4') until the first 4 holes are lined up between the two posts. Use two (2) carriage bolts, washers and locknuts to fix the telescopic post in position, the upper bolt in the top overlapping hole, pointing from right to left and the lower bolt in the bottom overlapping hole, pointing from front to back. The total height above ground with both post parts should now be approximately 6"6".
4. Start by installing the **DOGIPOT®** Pet Sign on top of the 1¾" post, with the upper hole matching the most upper hole in the square post using the enclosed 2¼" bolts, washers and locknuts. Continue installing the Aluminum **DOGIPOT®** HEADER PAK JUNIOR Bag Dispenser according to the mounting instruction enclosed with the Dispenser, ensuring that the upper edge of the Dispenser is approximately 1" **below** the lower edge of the **DOGIPOT®** Pet Sign.
5. Install the Steel **DOGIPOT®** Trash Receptacle through the pre-drilled top oval holes in the back wall of the receptacle and through the square post with the remaining bolts, washers and locknuts, using the 2¾" bolt on top and the 2½" bolt below. **The upper edge of the trash receptacle must be approximately 12½" below the lower end of your Aluminum DOGIPOT® HEADER PAK JUNIOR Bag Dispenser so that the lid may completely open.** The upper back wall of the trash receptacle is supposed to touch the head of the lower post carriage bolt, which creates some space between the post and the receptacle, allowing the receptacle lid to open from left to right, without touching the post.
6. Insert one of the enclosed **DOGIPOT®** Smart Liner Trash Bags™ into the trash receptacle, folding it over the interior retainer bands. As with any powder coated steel product constantly exposed to the elements, proper installation and general maintenance will help prevent and minimize corrosion and expand the life of the steel trash receptacle (can be upgraded to aluminium (ITEM #1206A-L) for an additional charge). **DOGIPOT®** offers Product Maintenance Paint to help cover any paint chips which may occur in the powder coating during the life of the product.
7. **ENJOY WATCHING PET OWNERS PICK UP AFTER THEIR DOGS!**

Yucko's



DOGIPOT®



314-770-1500
9am-4pm Mon-Fri

www.yuckos.com

ALUMINUM DOGIPOT® HEADER PAK PET STATION (ITEM #1003HP-L) SPECIFICATION, INSTALLATION AND OPERATION SHEET

(A) DOGIPOT® PET SIGN (ITEM #1203 / 1204)

- H: 18" x W: 11.5"
- 14 gauge reflective aluminum
- Weight: 1.35 lbs.
- Forest green on white

(B) ALUMINUM DOGIPOT® HEADER PAK JUNIOR BAG DISPENSER (ITEM #1002-2)

- H: 15.5" x W: 9.4" x D: 3.25"
- 12 gauge powder coated forest green aluminum
- Weight: 7 lbs.
- 400 bag capacity
- One bag dispenser slot
- Front locking access panel
- Clearly posted instructions

(C) STEEL TRASH RECEPTACLE WITH LID (ITEM #1206-L)

- H: 23" x 11.5" diameter
- 16 gauge powder coated forest green steel
- Weight: 14.6 lbs.
- 10 gallon capacity with interior trash liner bag retainer bands
- Attached stainless steel hinged lid
- One (1) box 50 count **DOGIPOT®** Smart Liner Trash Bags™ (ITEM #1404) included (5 lbs.)

(D) TELESCOPIC GALVANIZED STEEL MOUNTING POST (ITEM #1301-P)

- 2" x 2" x 8'
- 11 gauge galvanized steel
- Weight: 15 lbs.

TOTAL HEIGHT FROM ABOVE GROUND:

- 6'6"

SPACE BETWEEN DISPENSER AND SIGN:

- 1.0"

SPACE BETWEEN RECEPTACLE AND DISPENSER:

- 12.5"

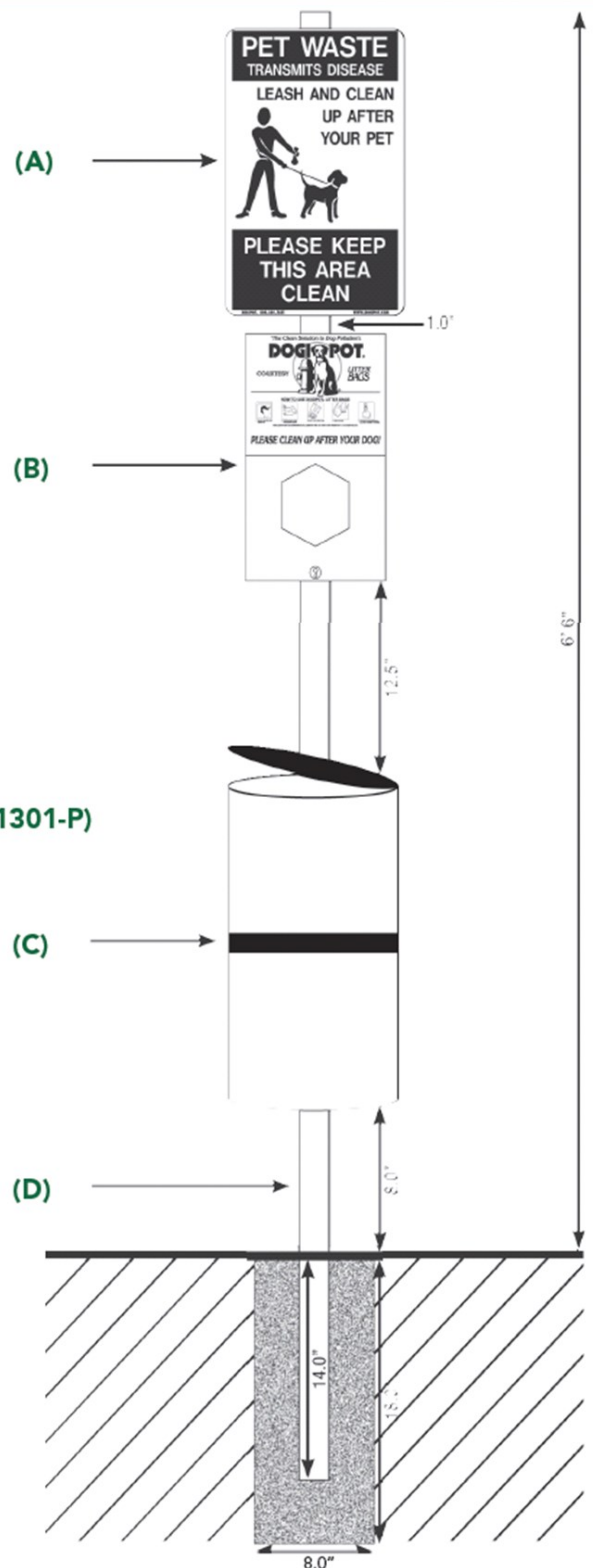
SPACE BETWEEN GROUND AND RECEPTACLE:

- 8.0"

HOLE:

- D: 18.0" x W: 8.0"
- Fill with 40 lbs. "ready to use" cement

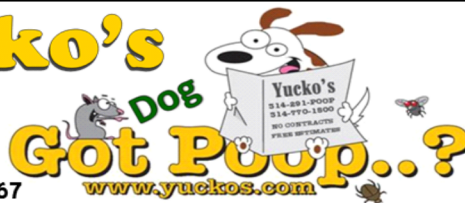
TOTAL SHIP WEIGHT: 45 LBS.
(MOUNTING HARDWARE INCLUDED)



Yucko's

3027 Charmbrook Lane
Maryland Heights, MO 63043
yuckos@yuckos.com

Tel: 314-770-1500 Fax: 314-291-7667



Client Information
Shipping Address:

Aluminum Header Pak Pet Station Order Form

Aluminum Junior Header Pak Pet Station With Aluminum Trash Receptacle

Model #	Product Name	Price Ea	Quantity	Total
1003HPAL-On	On Leash Pet Station Quantity Of 1-7	\$379.00		\$
1003HPAL-On	On Leash Pet Station Quantity Of 8-15	\$369.00		\$
1003HPAL-On	On Leash Pet Station Quantity Of 16+	\$359.00		\$
1003HPAL-Off	Off Leash Pet Station Quantity Of 1-7	\$379.00		\$
1003HPAL-Off	Off Leash Pet Station Quantity Of 8-15	\$369.00		\$
1003HPAL-Off	Off Leash Pet Station Quantity Of 16+	\$359.00		\$

Billing Address: (If Different)

Email Address:

Aluminum Junior Header Pak Pet Station With Steel Trash Receptacle

Model #	Product Name	Price Ea	Quantity	Total
1003HPL-On	On Leash Pet Station Quantity Of 1-7	\$359.00		\$
1003HPL-On	On Leash Pet Station Quantity Of 8-15	\$349.00		\$
1003HPL-On	On Leash Pet Station Quantity Of 16+	\$339.00		\$
1003HPL-Off	Off Leash Pet Station Quantity Of 1-7	\$359.00		\$
1003HPL-Off	Off Leash Pet Station Quantity Of 8-15	\$349.00		\$
1003HPL-Off	Off Leash Pet Station Quantity Of 16+	\$339.00		\$

Contact Number:

Payment Method:

Check Number

Card Number

Replacement Parts And Accessories

Model #	Product Name	Price Ea	Quantity	Total
1102	Set Of 2 Keys	\$3.00		\$
1111	Replacement Lock With 2 Keys	\$12.00		\$
1203	On Leash Sign	\$25.00		\$
1204	Off Leash Sign	\$25.00		\$
1301-P	8' Galvanized Steel Telescopic Post	\$69.95		\$
1206A-L	Aluminum Trash Receptacle Quantity Of 1-30	\$199.00		\$
1206A-L	Aluminum Trash Receptacle Quantity Of 31-60	\$187.00		\$
1206A-L	Aluminum Trash Receptacle Quantity Of 61+	\$179.00		\$
1206-L	Steel Trash Receptacle Quantity Of 1-30	\$179.00		\$
1206-L	Steel Trash Receptacle Quantity Of 31-60	\$169.00		\$
1206-L	Steel Trash Receptacle Quantity Of 61+	\$159.00		\$
1002HP-4	Header Pak Jr Dispenser Quantity Of 1-14	\$119.00		\$
1002HP-4	Header Pak Jr Dispenser Quantity Of 15-25	\$109.00		\$
1002HP-4	Header Pak Jr Dispenser Quantity Of 26-49	\$99.00		\$
1002HP-4	Header Pak Jr Dispenser Quantity Of 50+	\$95.00		\$
DECAL HP	Junior Header Pak Dispenser Decal 9" W X 7.5" H	\$5.95		\$
1002HP-L	Replacemet Lid W/Decal, Lock And Set Of 2 Keys	\$44.00		\$
1002HP-H	Replacement 3-Prong Bag Holder	\$44.00		\$
1002HP-CK	Header Pak Bag Dispenser Conversion Kit	\$65.00		\$
1619	Maintenance Spray Paint	\$5.95		\$

Exp Date:

CVS Code:

Notes:



Shipping Cost

Over 250 Lbs Must Be Quoted

Purchasing \$	Shipping \$
\$0 To \$10	\$3.00
\$10.01 To \$23	\$7.00
\$23.01 To \$100	\$12.00
\$100.01 To \$220	\$29.00
\$220.01 To \$300	\$40.00

Header Pak Litter Bags 2,000 Bags Per Case

Model #	Product Name	Price Ea	Quantity	Total
1402HP	Header Pak Case (Quantity 1-6 Cases)	\$100.00		\$
1402HP	Header Pak Case (Quantity 7-12 Cases)	\$89.00		\$
1402HP	Header Pak Case (Quantity 13-89 Cases)	\$78.00		\$
1402HP	Header Pak Case (Quantity 90+ Cases)	\$68.00		\$

\$300.01 To \$350	\$45.00
\$350.01 To \$400	\$55.00
\$400.01 To \$450	\$60.00
\$450.01 To \$500	\$70.00
\$500.01 To \$600	\$80.00
\$600.01 To \$700	\$90.00

Trash Liners 50 Bags Per Box

1404	Trash Liner Bags (Quantity 1-7 Cases)	\$17.50		\$
1404	Trash Liner Bags (Quantity 8-15 Cases)	\$16.25		\$
1404	Trash Liner Bags (Quantity 16+ Cases)	\$15.00		\$

\$700.01 To \$800	\$95.00
\$800.01 To \$900	\$100.00
\$900.01 To \$1000	\$110.00
\$1000.01 To \$1100	\$135.00

Orders Outside Continental USA Must Be Quoted

Clients Are Responsible For All Brokerage Fees And Custom Charges

Seller Not Responsible For Customs Delays

Item Subtotal: \$

Shipping (Use Chart On Left) \$

MO Sales Tax, If Applicable (7.613%) \$

Total: \$

Over \$1100.01 \$160.00

All Returns Are Subject
To 20% Restocking Fee And
All Shipping Paid By Purchaser

Poly Junior Pet Station #1010

314-770-1500
9am-4pm Mon-Fri



Comes With A Choice Of 'On Leash' Or 'Off Leash' Signage



On Leash #1203



Off Leash #1204

Signage

- 18-Gauge Aluminum
- Reflective
- 18" High By 11.5" Wide

Poly Junior Dispenser

- #1007-2
- 2.5 mm ABS/PP Polyethylene
- Forest Green
- Bottom Locking Access Panel
- Clear Instructions Posted
- Easy & Versatile Installation
- Measures 17" x 9.4" x 3.25"



2 Rolls Of Litter Bags

- #1402
- 200 Bags Per Roll (400 Bags)
- 8" Wide x 13" Tall
- Perforated Bag Separation
- Opaque Green

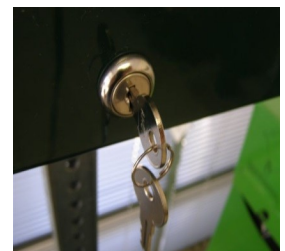


Set Of 2 Keys

- #1109

Lock

- #1107



Poly Trash Receptacle

- #1208-L
- 10 Gallon
- 21" x 13" x 12"
- A Snap-On Lid Holds Trash Liner In Place
- *Not Meant For Channel Posts*
(Voids Warranty If Attached To Channel Post)



1 Box Of Trash Liner Bags

- #1404
- 50 Bags Per Box
- Heavy-Duty, 10-15 Gallons



8' Telescoping Composite Green Post

- #1304
- 2" W x 2" D x 4'-8' H

Available Replacements:

- Poly Junior Outer Shell Only #1007-O
- Poly Junior Insert With Lock And Set Of Two Keys #1007-I
- Lock With Set Of Two Keys #1107
- Set Of Two Keys #1109
- Lid For New Style Trash Receptacle #1210-N
- Lid For Old Style Trash Receptacle (Pre-2008) #1210-O

Replacement Keys, Locks, And Other Parts Available

Yucko's

314-770-1500
9am-4pm Mon-Fri



www.yuckos.com

POLY DOGIPOT® PET STATION (ITEM #1010)

SPECIFICATION, INSTALLATION AND OPERATION SHEET



YOUR POLY DOGIPOT® PET STATION INCLUDES:

- Poly DOGIPOT® Pet Sign, with mounting hardware (two (2) 2¼" x ¼" bolts, washers and locknuts)
- Poly DOGIPOT® Junior Bag Dispenser (ITEM #1007-2), with mounting hardware (one (1) 2¼" x ¼" shoulder bolt and one (1) 2½" x ¼" bolt, washers and locknuts)
- Two (2) keys for Dispenser bottom locking access tray /insert
- Two (2) rolls of DOGIPOT® Smart Litter Pick Up Bags™ (ITEM #1402) (200 count per roll), installed in DOGIPOT® Junior Bag Dispenser
- 10 gallon Poly Trash Receptacle (ITEM #1208-L) with attachable lid with mounting hardware (two (2) 2¾" x ¼" bolts, washers, fender washers and locknuts)
- One (1) box DOGIPOT® Smart Liner Trash Bags™ (ITEM #1404) (50 Count)

SEPARATE SHIPPING BOX

- 2" x 2" x 4' - 8' Poly Telescopic Mounting Post, with installation hardware (two (2) carriage bolts (2½" x 5/16"), washers and locknuts)

PLEASE CHECK THE ABOVE INVENTORY AND CALL YOUR DISTRIBUTOR IF ANY PARTS ARE MISSING.

INSTALLATION AND OPERATION INSTRUCTIONS

1. Select a good visible spot in your community or park where you want to install the Poly DOGIPOT® Pet Station.
2. Prior to installation, remove the 1¾" x 1¾" x 4' portion of the mounting post from the 2" x 2" x 4' portion of the mounting post before cementing. **Insert the larger portion of the mounting post (2" x 2" x 4') approximately 14" into an 18" deep by 8" diameter hole filled with a 40 lb. bag of "ready to use" concrete mix.** To stabilize the post while cementing, place a rod, bolt or other device through the two bottom holes, prior to inserting into the ground and cementing. Level the post in a straight vertical position and let concrete dry for at least 12 hours. **(NOTE: the three holes 1½" apart indicate the top of the 2" portion of the post).**
3. After the concrete is dry, insert the smaller portion of the post (1¾" x 1¾" x 4') into the larger cemented portion of the post (2" x 2" x 4') until the bottom two holes of the 1¾" post are aligned with the upper two holes of the 2" post. **(NOTE: the two holes 1½" apart indicate the bottom of the 1¾" post).** Insert the two (2) 2½" x 5/16" carriage bolts through the aligned post holes from front to back and affix the washers and locknuts to fix the telescopic post in position. The total height above ground with both post parts should now be approximately 6'6". **(NOTE: the 4th hole down from the top of the 2" post is for installation of the Poly DOGIPOT® Trash receptacle).**
4. Start by installing the DOGIPOT® Pet Sign on top of the 1¾" post, with the upper hole matching the most upper hole in the square post using the enclosed 2½" bolts, washers and locknuts. **Continue installing the Poly DOGIPOT® Junior Bag Dispenser according to the mounting instructions enclosed with the Dispenser, ensuring that the upper edge of the Dispenser is approximately 1" below the lower edge of the DOGIPOT® Pet Sign. (NOTE: the 2¼" x ¼" shoulder bolt is to be installed with an exterior washer in the top mounting hole of the Dispenser. DO NOT OVER-TIGHTEN TO AVOID POSSIBLE CRACKING OF DISPENSER UNIT).**
5. Install the Poly DOGIPOT® Trash Receptacle through the pre-drilled holes in the back wall of the receptacle and through the square post with the remaining bolts, washers and locknuts. **ATTACH THE LID TO THE WASTE RECEPTACLE PRIOR TO MOUNTING.** Use the 2" fender washers for installation on the inside of the receptacle. The upper edge of the trash receptacle must be approximately 11.5" below the lower end of your Poly DOGIPOT® Junior Bag Dispenser. The trash receptacle lid will open to a pre-determined angle to prevent it from being over extended. The receptacle lid will hit the post when it is fully opened.
6. Insert one of the enclosed DOGIPOT® Smart Liner Trash Bags™ into the trash receptacle, folding it over the edge of the receptacle and close the trash receptacle lid.
7. **ENJOY WATCHING PET OWNERS PICK UP AFTER THEIR DOGS!**

Yucko's



DOGIPOT®

The Smart Solution to Dog Pollution.

www.yuckos.com

314-770-1500
9am-4pm Mon-Fri

POLY DOGIPOT® PET STATION (ITEM #1010)

SPECIFICATION, INSTALLATION AND OPERATION SHEET

(A) DOGIPOT® PET SIGN (ITEM #1203 / 1204)

- H: 18" x W: 11.5"
- 14 gauge reflective aluminum
- Weight: 1.35 lbs.
- Forest green on white

(B) POLY DOGIPOT® JUNIOR BAG DISPENSER (ITEM #1007-2)

- H: 17" x W: 10" x D: 3"
- 2.5 mm ABS / PP forest green polyethylene
- Weight: 5 lbs.
- 400 bag capacity
- Two diamond shaped bag dispenser slots
- Bottom locking access tray / insert
- Clearly posted instructions

(C) POLY TRASH RECEPTACLE WITH LID (ITEM #1208-L)

- H: 21" x W: 13" x D: 12"
- 2.5 mm ABS / PP forest green polyethylene
- Weight: 4 lbs.
- 10 gallon capacity
- Attachable hinged lid (ITEM #1210-N)
- One (1) box 50 count DOGIPOT® Smart Liner Trash Bags™ (ITEM #1404) included (5 lbs.)

(D) TELESCOPIC POLY MOUNTING POST (ITEM #1304)

- 2" x 2" x 8'
- .125 gauge fiberglass
- Weight: 8 lbs.

TOTAL HEIGHT FROM ABOVE GROUND:

- 6'.6"

SPACE BETWEEN DISPENSER AND SIGN:

- 1.0"

SPACE BETWEEN RECEPTACLE AND DISPENSER:

- 11.5"

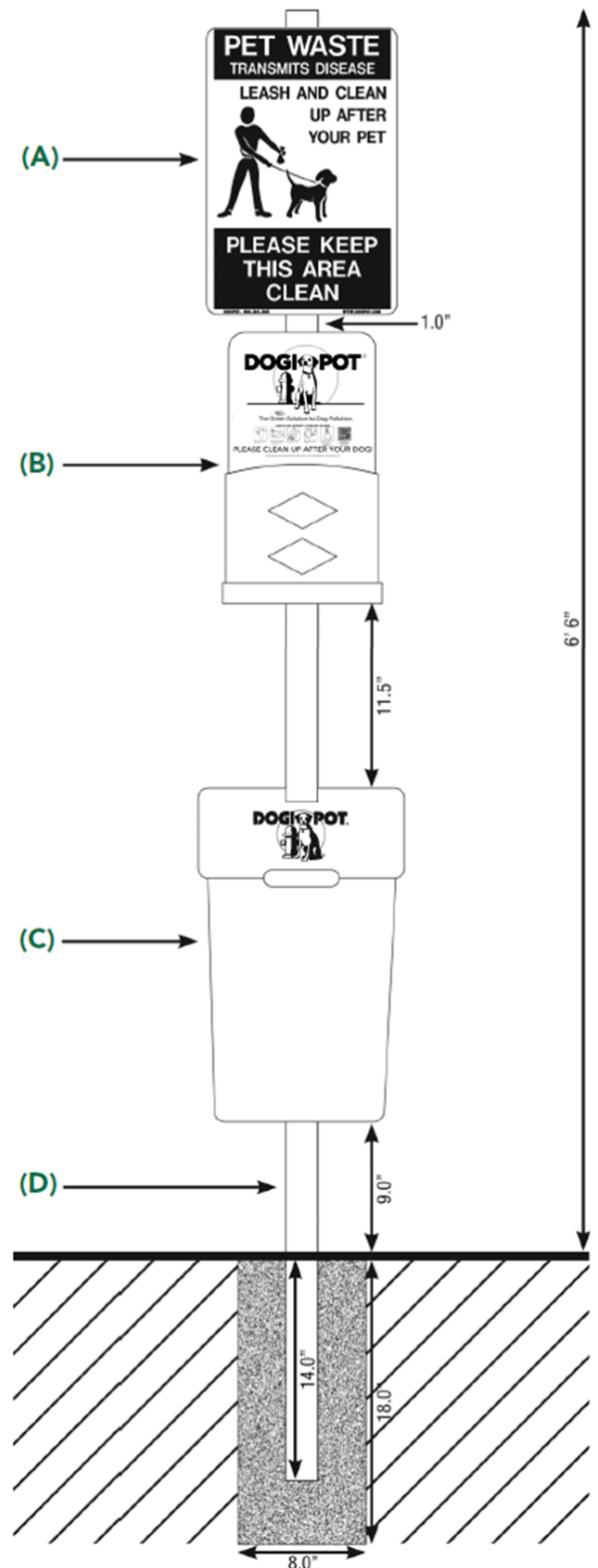
SPACE BETWEEN GROUND AND RECEPTACLE:

- 9.0"

HOLE:

- D: 18.0" x W: 8.0"
- Fill with 40 lbs. "ready to use" cement

TOTAL SHIP WEIGHT: 36 LBS.
(MOUNTING HARDWARE INCLUDED)



Yucko's

3027 Charmbrook Lane
 Maryland Heights, MO 63043
 yuckos@yuckos.com
 Tel: 314-770-1500 Fax: 314-291-7667



Client Information
 Shipping Address:

Poly Pet Station Order Form

Poly Pet Station With Poly Trash Receptacle And Composite Green Post

Model #	Product Name	Price Ea	Quantity	Total
1010-On	On Leash Pet Station Quantity Of 1-7	\$265.00		\$
1010-On	On Leash Pet Station Quantity Of 8-15	\$255.00		\$
1010-On	On Leash Pet Station Quantity Of 16+	\$245.00		\$
1010-Off	Off Leash Pet Station Quantity Of 1-7	\$265.00		\$
1010-Off	Off Leash Pet Station Quantity Of 8-15	\$255.00		\$
1010-Off	Off Leash Pet Station Quantity Of 16+	\$245.00		\$

Billing Address: (If Different)

Email Address:

Replacement Parts And Accessories

Model #	Product Name	Price Ea	Quantity	Total
1109	Set Of 2 Keys	\$3.00		\$
1107	Replacement Lock With 2 Keys	\$12.00		\$
1203	On Leash Sign	\$25.00		\$
1204	Off Leash Sign	\$25.00		\$
1304	8' Composite Green Telescopic Post	\$69.95		\$
1208	Poly Trash Receptacle Quantity Of 1-30	\$85.00		\$
1208	Poly Trash Receptacle Quantity Of 31-60	\$75.00		\$
1208	Poly Trash Receptacle Quantity Of 61+	\$65.00		\$
1210-N	Lid For New Style Trash Receptacle (Has Notch)	\$15.00		\$
1210-O	Lid For Old Style Trash Receptacle (No Notch)	\$15.00		\$
1007-2	Poly Junior Dispenser Quantity Of 1-14	\$79.00		\$
1007-2	Poly Junior Dispenser Quantity Of 15-25	\$75.00		\$
1007-2	Poly Junior Dispenser Quantity Of 26-49	\$70.00		\$
1007-2	Poly Junior Dispenser Quantity Of 50+	\$65.00		\$
1007-O	Poly Junior Outer Shell Only	\$25.00		\$
1007-I	Poly Junior Insert With Lock And Set Of 2 Keys	\$44.00		\$

Contact Number:

Payment Method:
 Check Number
 Card Number
 Exp Date: CVS Code:

Notes:

Smart Litter Pick Up Bags - Rolled 200 Bags Per Roll

Model #	Product Name	Price Ea	Quantity	Total
1402-S	Single Roll	\$10.95		\$
1402-10	10 Roll Case Of Litter Bags	\$81.00		\$
1402-20	20 Roll Case Of Litter Bags	\$152.00		\$
1402-30	30 Roll Case (Quantity 1-4 Cases)	\$216.00		\$
1402-30	30 Roll Case (Quantity 5-10 Cases)	\$189.00		\$
1402-30	30 Roll Case (Quantity 11-29 Cases)	\$177.00		\$
1402-30	30 Roll Case (Quantity 30+ Cases)	\$168.00		\$

Shipping Cost
 Over 250 Lbs Must Be Quoted

Trash Liners 50 Bags Per Box

Model #	Product Name	Price Ea	Quantity	Total
1404	Trash Liner Bags (Quantity 1-7 Cases)	\$17.50		\$
1404	Trash Liner Bags (Quantity 8-15 Cases)	\$16.25		\$
1404	Trash Liner Bags (Quantity 16+ Cases)	\$15.00		\$

Purchasing \$	Shipping \$
\$0 To \$10	\$3.00
\$10.01 To \$23	\$7.00
\$23.01 To \$100	\$12.00
\$100.01 To \$220	\$29.00

Item Subtotal:	\$	\$220.01 To \$300	\$40.00
Shipping (Use Chart On Left)	\$	\$300.01 To \$350	\$45.00
MO Sales Tax, If Applicable (7.613%)	\$	\$350.01 To \$400	\$55.00
Total:	\$	\$400.01 To \$450	\$60.00
		\$450.01 To \$500	\$70.00
		\$500.01 To \$600	\$80.00
		\$600.01 To \$700	\$90.00
		\$700.01 To \$800	\$95.00
		\$800.01 To \$900	\$100.00
		\$900.01 To \$1000	\$110.00
		\$1000.01 To \$1100	\$135.00
		Over \$1100.01	\$160.00



All Returns Are Subject To 20% Restocking Fee And All Shipping Paid By Purchaser
 Orders Outside Continental USA Must Be Quoted - Seller Not Responsible For Customs Delays
 Clients Are Responsible For All Brokerage Fees And Custom Charges

Aluminum Junior Pet Station Without Trash Receptacle

314-770-1500
9am-4pm Mon-Fri



Comes With A Choice Of 'On Leash' Or 'Off Leash' Signage



On Leash #1203

Signage

- 18-Gauge Aluminum
- Reflective
- 18" High By 11.5" Wide



Off Leash #1204

Aluminum Junior Dispenser

- #1002-2
- 12 Gauge Aluminum
- Powder Coated Aluminum
- Forest Green
- Locking Access Panel
- Clear Instructions Posted
- Easy & Versatile Installation
- Measures 15.5" x 9.4" x 3.25"



2 Rolls Of Litter Bags

- #1402
- 200 Bags Per Roll (400 Bags)
- 8" Wide x 13" Tall
- Perforated Bag Separation
- Opaque Green

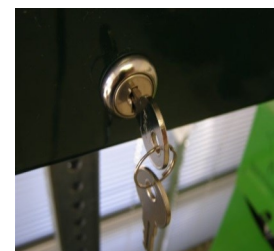


Set Of 2 Keys

- #1102

Lock

- #1105



8' Telescoping Galvanized Steel Post

- #1301-P
- 2" W x 2" D x 4'-8' H

Available Replacements:

- Cover For Dispenser With Decal, Lock And Set Of Two Keys #1002-L
- Lock With Set Of Two Keys #1105
- Set Of Two Keys #1102
- Junior Dispenser Decal 9" W X 8.25" H
- Maintenance Spray Paint #1619

Replacement Keys, Locks, And Other Parts Available



3027 Charmbrook Lane
 Maryland Heights, MO 63043
 yuckos@yuckos.com
 Tel: 314-770-1500 Fax: 314-291-7667



Client Information
 Shipping Address:

Aluminum Junior Pet Station Without Trash Receptacle Order Form

Billing Address: (If Different)

Aluminum Junior Pet Station Without Trash Receptacle

Model #	Product Name	Price Ea	Quantity	Total
1003-On W	On Leash Pet Station NT Quantity Of 1-7	\$210.00		\$
1003-On W	On Leash Pet Station NT Quantity Of 8-15	\$205.00		\$
1003-On W	On Leash Pet Station NT Quantity Of 16+	\$195.00		\$
1003-Off W	Off Leash Pet Station NT Quantity Of 1-7	\$210.00		\$
1003-Off W	Off Leash Pet Station NT Quantity Of 8-15	\$205.00		\$
1003-Off W	Off Leash Pet Station NT Quantity Of 16+	\$195.00		\$

Email Address:

Replacement Parts And Accessories

Model #	Product Name	Price Ea	Quantity	Total
1102	Set Of 2 Keys	\$3.00		\$
1105	Replacement Lock With 2 Keys	\$12.00		\$
1203	On Leash Sign	\$25.00		\$
1204	Off Leash Sign	\$25.00		\$
1301-P	8' Galvanized Steel Telescopic Post	\$69.95		\$
DECAL J	Junior Dispenser Decal 9" W X 8.25" H	\$5.95		\$
1002-L	Replacemet Lid W/Decal, Lock And Set Of 2 Keys	\$44.00		\$
1619	Maintenance Spray Paint	\$5.95		\$
1002-2	Aluminum Jr Dispenser Quantity Of 1-14	\$99.00		\$
1002-2	Aluminum Jr Dispenser Quantity Of 15-25	\$89.00		\$
1002-2	Aluminum Jr Dispenser Quantity Of 26-49	\$79.00		\$
1002-2	Aluminum Jr Dispenser Quantity Of 50+	\$75.00		\$

Contact Number:

Payment Method:

Check Number
 Card Number
 Exp Date: CVS Code:

Notes:

Smart Litter Pick Up Bags - Rolled 200 Bags Per Roll

Model #	Product Name	Price Ea	Quantity	Total
1402-S	Single Roll	\$10.95		\$
1402-10	10 Roll Case Of Litter Bags	\$81.00		\$
1402-20	20 Roll Case Of Litter Bags	\$152.00		\$
1402-30	30 Roll Case (Quantity 1-4 Cases)	\$216.00		\$
1402-30	30 Roll Case (Quantity 5-10 Cases)	\$189.00		\$
1402-30	30 Roll Case (Quantity 11-29 Cases)	\$177.00		\$
1402-30	30 Roll Case (Quantity 30+ Cases)	\$168.00		\$

Shipping Cost

Over 250 Lbs Must Be Quoted

	Item Subtotal:	\$					
	Shipping (Use Chart On Left)	\$	\$0 To \$10	\$3.00			
	MO Sales Tax, If Applicable (7.613%)	\$	\$10.01 To \$23	\$7.00			
	Total:	\$	\$23.01 To \$100	\$12.00			
			\$100.01 To \$220	\$29.00			
			\$220.01 To \$300	\$40.00			
			\$300.01 To \$350	\$45.00			
			\$350.01 To \$400	\$55.00			
			\$400.01 To \$450	\$60.00			
			\$450.01 To \$500	\$70.00			
			\$500.01 To \$600	\$80.00			
			\$600.01 To \$700	\$90.00			
			\$700.01 To \$800	\$95.00			
			\$800.01 To \$900	\$100.00			
			\$900.01 To \$1000	\$110.00			
			\$1000.01 To \$1100	\$135.00			
			Over \$1100.01	\$160.00			



Orders Outside Continental USA Must Be Quoted
 Seller Not Responsible For Customs Delays
 Clients Are Responsible For All Brokerage Fees And Custom Charges

All Returns Are Subject
 To 20% Restocking Fee And
 All Shipping Paid By Purchaser



Comes With A Choice Of 'On Leash' Or 'Off Leash' Signage



On Leash #1203

Signage

- 18-Gauge Aluminum
- Reflective
- 18" High By 11.5" Wide



Off Leash #1204

Aluminum Mini Junior Dispenser

- #1002M-2
- 14 Gauge Aluminum
- Powder Coated Aluminum
- Forest Green
- Front Locking Access Panel
- Clear Instructions Posted
- Easy & Versatile Installation
- Measures 12.5" x 9" x 3.5"
- Front Panel Hinged To Bottom



2 Rolls Of Litter Bags

- #1402
- 200 Bags Per Roll (400 Bags)
- 8" Wide x 13" Tall
- Perforated Bag Separation
- Opaque Green

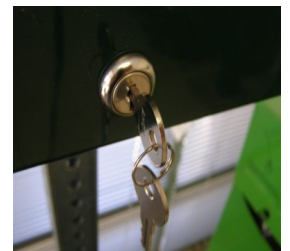


Set Of 2 Keys

- #1102

Lock

- #1105



8' Telescoping Galvanized Steel Post

- #1301-P
- 2" W x 2" D x 4'-8' H

Available Replacements:

- Lock With Set Of Two Keys #1105
- Set Of Two Keys #1102
- Maintenance Spray Paint #1619

Replacement Keys, Locks, And Other Parts Available

Yucko's

3027 Charmbrook Lane
 Maryland Heights, MO 63043
 yuckos@yuckos.com
 Tel: 314-770-1500 Fax: 314-291-7667



Client Information
 Shipping Address:

Aluminum Mini Junior Pet Station Without Trash Receptacle Order Form

Billing Address: (If Different)

Aluminum Mini Junior Pet Station Without Trash Receptacle

Model #	Product Name	Price Ea	Quantity	Total
Mini A On W	On Leash Pet Station NT Quantity Of 1-7	\$200.00		\$
Mini A On W	On Leash Pet Station NT Quantity Of 8-15	\$195.00		\$
Mini A On W	On Leash Pet Station NT Quantity Of 16+	\$185.00		\$
Mini A Off W	Off Leash Pet Station NT Quantity Of 1-7	\$200.00		\$
Mini A Off W	Off Leash Pet Station NT Quantity Of 8-15	\$195.00		\$
Mini A Off W	Off Leash Pet Station NT Quantity Of 16+	\$185.00		\$

Email Address:

Replacement Parts And Accessories

Model #	Product Name	Price Ea	Quantity	Total
1102	Set Of 2 Keys	\$3.00		\$
1105	Replacement Lock With 2 Keys	\$12.00		\$
1203	On Leash Sign	\$25.00		\$
1204	Off Leash Sign	\$25.00		\$
1301-P	8' Galvanized Steel Telescopic Post	\$69.95		\$
1619	Maintenance Spray Paint	\$5.95		\$
1002M-2	Aluminum Mini Jr Dispenser Quantity Of 1-14	\$89.00		\$
1002M-2	Aluminum Mini Jr Dispenser Quantity Of 15-25	\$80.00		\$
1002M-2	Aluminum Mini Jr Dispenser Quantity Of 26-49	\$75.00		\$
1002M-2	Aluminum Mini Jr Dispenser Quantity Of 50+	\$70.00		\$

Contact Number:

Payment Method:

Check Number

Card Number

Exp Date:

CVS Code:

Notes:

Smart Litter Pick Up Bags - Rolled 200 Bags Per Roll

Model #	Product Name	Price Ea	Quantity	Total
1402-S	Single Roll	\$10.95		\$
1402-10	10 Roll Case Of Litter Bags	\$81.00		\$
1402-20	20 Roll Case Of Litter Bags	\$152.00		\$
1402-30	30 Roll Case (Quantity 1-4 Cases)	\$216.00		\$
1402-30	30 Roll Case (Quantity 5-10 Cases)	\$189.00		\$
1402-30	30 Roll Case (Quantity 11-29 Cases)	\$177.00		\$
1402-30	30 Roll Case (Quantity 30+ Cases)	\$168.00		\$

Item Subtotal: \$

Shipping (Use Chart On Left) \$

MO Sales Tax, If Applicable (7.613%) \$

Total: \$

Shipping Cost

Over 250 Lbs Must Be Quoted

Purchasing \$	Shipping \$
\$0 To \$10	\$3.00
\$10.01 To \$23	\$7.00
\$23.01 To \$100	\$12.00
\$100.01 To \$220	\$29.00
\$220.01 To \$300	\$40.00
\$300.01 To \$350	\$45.00
\$350.01 To \$400	\$55.00
\$400.01 To \$450	\$60.00
\$450.01 To \$500	\$70.00
\$500.01 To \$600	\$80.00
\$600.01 To \$700	\$90.00
\$700.01 To \$800	\$95.00
\$800.01 To \$900	\$100.00
\$900.01 To \$1000	\$110.00
\$1000.01 To \$1100	\$135.00
Over \$1100.01	\$160.00



Orders Outside Continental USA Must Be Quoted

Seller Not Responsible For Customs Delays

Clients Are Responsible For All Brokerage Fees And Custom Charges

All Returns Are Subject
 To 20% Restocking Fee And
 All Shipping Paid By Purchaser

Aluminum Header Pak Junior Pet Station Without Trash Receptacle



314-770-1500
9am-4pm Mon-Fri



Comes With A Choice Of 'On Leash' Or 'Off Leash' Signage



On Leash #1203

Signage

- 18-Gauge Aluminum
- Reflective
- 18" High By 11.5" Wide



Off Leash #1204

Aluminum Header Pak Junior Dispenser

- #1002HP-4
- 12 Gauge Aluminum
- Powder Coated Aluminum
- Forest Green
- Locking Access Panel
- Clear Instructions Posted
- Easy & Versatile Installation
- Measures 15.5" x 9.4" x 3.25"



2 Header Pak Litter Bag Cards

- #1402HP
- 200 Bags Per Card (400 Bags)
- 8" Wide x 13" Tall
- Perforated Bag Separation
- Opaque Green

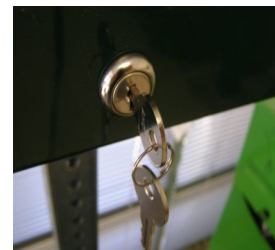


Set Of 2 Keys

- #1102

Lock

- #1111



8' Telescoping Galvanized Steel Post

- #1301-P
- 2" W x 2" D x 4'-8' H

Available Replacements:

- Header Pak Replacement Lid With Decal, Lock And Two Keys #1002HP-L
- 3-Prong Bag Holder #1002HP-H
- Lock With Set Of Two Keys #1111
- Set Of Two Keys #1102
- Header Pak Junior Dispenser Decal 9" W X 7.5" H
- Maintenance Spray Paint #1619

Replacement Keys, Locks, And Other Parts Available



3027 Charmbrook Lane
 Maryland Heights, MO 63043
 yuckos@yuckos.com
 Tel: 314-770-1500 Fax: 314-291-7667



Client Information
 Shipping Address:

Aluminum Header Pak Pet Station Without Trash Receptacle Order Form

Billing Address: (If Different)

Aluminum Junior Header Pak Pet Station Without Trash Receptacle

Model #	Product Name	Price Ea	Quantity	Total
1003HP-On W	On Leash Pet Station NT Quantity Of 1-7	\$230.00		\$
1003HP-On W	On Leash Pet Station NT Quantity Of 8-15	\$220.00		\$
1003HP-On W	On Leash Pet Station NT Quantity Of 16+	\$210.00		\$
1003HP-Off W	Off Leash Pet Station NT Quantity Of 1-7	\$230.00		\$
1003HP-Off W	Off Leash Pet Station NT Quantity Of 8-15	\$220.00		\$
1003HP-Off W	Off Leash Pet Station NT Quantity Of 16+	\$210.00		\$

Email Address:

Contact Number:

Replacement Parts And Accessories

Model #	Product Name	Price Ea	Quantity	Total
1102	Set Of 2 Keys	\$3.00		\$
1111	Replacement Lock With 2 Keys	\$12.00		\$
1203	On Leash Sign	\$25.00		\$
1204	Off Leash Sign	\$25.00		\$
1301-P	8' Galvanized Steel Telescopic Post	\$69.95		\$
1002HP-4	Header Pak Jr Dispenser Quantity Of 1-14	\$119.00		\$
1002HP-4	Header Pak Jr Dispenser Quantity Of 15-25	\$109.00		\$
1002HP-4	Header Pak Jr Dispenser Quantity Of 26-49	\$99.00		\$
1002HP-4	Header Pak Jr Dispenser Quantity Of 50+	\$95.00		\$
DECAL HP	Junior Header Pak Dispenser Decal 9" W X 7.5" H	\$5.95		\$
1002HP-L	Replacemet Lid W/Decal, Lock And Set Of 2 Keys	\$44.00		\$
1002HP-H	Replacement 3-Prong Bag Holder	\$44.00		\$
1002HP-CK	Header Pak Bag Dispenser Conversion Kit	\$65.00		\$
1619	Maintenance Spray Paint	\$5.95		\$

Payment Method:

Check Number

Card Number

Exp Date:

CVS Code:

Notes:

Header Pak Litter Bags 2,000 Bags Per Case

Model #	Product Name	Price Ea	Quantity	Total
1402HP	Header Pak Case (Quantity 1-6 Cases)	\$100.00		\$
1402HP	Header Pak Case (Quantity 7-12 Cases)	\$89.00		\$
1402HP	Header Pak Case (Quantity 13-89 Cases)	\$78.00		\$
1402HP	Header Pak Case (Quantity 90+ Cases)	\$68.00		\$

Shipping Cost

Over 250 Lbs Must Be Quoted

Purchasing \$	Shipping \$
\$0 To \$10	\$3.00
\$10.01 To \$23	\$7.00
\$23.01 To \$100	\$12.00
\$100.01 To \$220	\$29.00
\$220.01 To \$300	\$40.00
\$300.01 To \$350	\$45.00
\$350.01 To \$400	\$55.00
\$400.01 To \$450	\$60.00
\$450.01 To \$500	\$70.00
\$500.01 To \$600	\$80.00
\$600.01 To \$700	\$90.00
\$700.01 To \$800	\$95.00
\$800.01 To \$900	\$100.00
\$900.01 To \$1000	\$110.00
\$1000.01 To \$1100	\$135.00
Over \$1100.01	\$160.00

Item Subtotal: \$
 Shipping (Use Chart On Left) \$
 MO Sales Tax, If Applicable (7.613%) \$
Total: \$



Orders Outside Continental USA Must Be Quoted - Seller Not Responsible For Customs Delays
 Clients Are Responsible For All Brokerage Fees And Custom Charges

All Returns Are Subject
 To 20% Restocking Fee And
 All Shipping Paid By Purchaser

Poly Junior Pet Station Without Trash Receptacle

314-770-1500
9am-4pm Mon-Fri



Comes With A Choice Of 'On Leash' Or 'Off Leash' Signage



On Leash #1203



Off Leash #1204

Signage

- 18-Gauge Aluminum
- Reflective
- 18" High By 11.5" Wide

Poly Junior Dispenser

- #1007-2
- 2.5 mm ABS/PP Polyethylene
- Forest Green
- Bottom Locking Access Panel
- Clear Instructions Posted
- Easy & Versatile Installation
- Measures 17" x 9.4" x 3.25"



2 Rolls Of Litter Bags

- #1402
- 200 Bags Per Roll (400 Bags)
- 8" Wide x 13" Tall
- Perforated Bag Separation
- Opaque Green

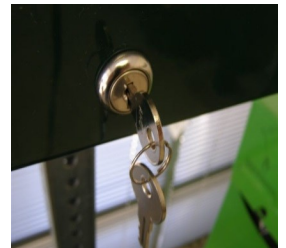


Set Of 2 Keys

- #1109

Lock

- #1107



8' Telescoping Composite Green Post

- #1304
- 2" W x 2" D x 4'-8' H

Available Replacements:

- Poly Junior Outer Shell Only #1007-O
- Poly Junior Insert With Lock And Set Of Two Keys #1007-I
- Lock With Set Of Two Keys #1107
- Set Of Two Keys #1109
- Lid For New Style Trash Receptacle #1210-N
- Lid For Old Style Trash Receptacle (Pre-2008) #1210-O

Replacement Keys, Locks, And Other Parts Available



3027 Charmbrook Lane
 Maryland Heights, MO 63043
 yuckos@yuckos.com
 Tel: 314-770-1500 Fax: 314-291-7667

Poly Pet Station Without Trash Receptacle

Client Information

Shipping Address:

Billing Address: (If Different)

Email Address:

Contact Number:

Payment Method:

Check Number

Card Number

Exp Date:

CVS Code:

Notes:

Poly Pet Station Without Trash Receptacle And With Composite Green Post

Model #	Product Name	Price Ea	Quantity	Total
1010-On W	On Leash Pet Station NT Quantity Of 1-7	\$190.00		\$
1010-On W	On Leash Pet Station NT Quantity Of 8-15	\$180.00		\$
1010-On W	On Leash Pet Station NT Quantity Of 16+	\$17.00		\$
1010-Off W	Off Leash Pet Station NT Quantity Of 1-7	\$190.00		\$
1010-Off W	Off Leash Pet Station NT Quantity Of 8-15	\$180.00		\$
1010-Off W	Off Leash Pet Station NT Quantity Of 16+	\$170.00		\$

Replacement Parts And Accessories

Model #	Product Name	Price Ea	Quantity	Total
1109	Set Of 2 Keys	\$3.00		\$
1107	Replacement Lock With 2 Keys	\$12.00		\$
1203	On Leash Sign	\$25.00		\$
1204	Off Leash Sign	\$25.00		\$
1304	8' Composite Green Telescopic Post	\$69.95		\$
1007-2	Poly Junior Dispenser Quantity Of 1-14	\$79.00		\$
1007-2	Poly Junior Dispenser Quantity Of 15-25	\$75.00		\$
1007-2	Poly Junior Dispenser Quantity Of 26-49	\$70.00		\$
1007-2	Poly Junior Dispenser Quantity Of 50+	\$65.00		\$
1007-O	Poly Junior Outer Shell Only	\$25.00		\$
1007-I	Poly Junior Insert With Lock And Set Of 2 Keys	\$44.00		\$

Smart Litter Pick Up Bags - Rolled 200 Bags Per Roll

Model #	Product Name	Price Ea	Quantity	Total
1402-S	Single Roll	\$10.95		\$
1402-10	10 Roll Case Of Litter Bags	\$81.00		\$
1402-20	20 Roll Case Of Litter Bags	\$152.00		\$
1402-30	30 Roll Case (Quantity 1-4 Cases)	\$216.00		\$
1402-30	30 Roll Case (Quantity 5-10 Cases)	\$189.00		\$
1402-30	30 Roll Case (Quantity 11-29 Cases)	\$177.00		\$
1402-30	30 Roll Case (Quantity 30+ Cases)	\$168.00		\$

Item Subtotal: \$

Shipping (Use Chart On Left) \$

MO Sales Tax, If Applicable (7.613%) \$

Total: \$

Shipping Cost

Over 250 Lbs Must Be Quoted

Purchasing \$	Shipping \$
\$0 To \$10	\$3.00
\$10.01 To \$23	\$7.00
\$23.01 To \$100	\$12.00
\$100.01 To \$220	\$29.00
\$220.01 To \$300	\$40.00
\$300.01 To \$350	\$45.00
\$350.01 To \$400	\$55.00
\$400.01 To \$450	\$60.00
\$450.01 To \$500	\$70.00
\$500.01 To \$600	\$80.00
\$600.01 To \$700	\$90.00
\$700.01 To \$800	\$95.00
\$800.01 To \$900	\$100.00
\$900.01 To \$1000	\$110.00
\$1000.01 To \$1100	\$135.00
Over \$1100.01	\$160.00



All Returns Are Subject To 20% Restocking Fee And All Shipping Paid By Purchaser

Orders Outside Continental USA Must Be Quoted - Seller Not Responsible For Customs Delays

Clients Are Responsible For All Brokerage Fees And Custom Charges

Aluminum DogValet

#1001-2

314-770-1500
9am-4pm Mon-Fri



Aluminum DogValet

- #1001-2
- 40.4" Tall x 17" Wide x 10.6" Deep
- Front Locking Access Lid
- 13 Gauge Aluminum
- Powder Coated Forest Green
- Clear Instructions On Top

2 Rolls Of Litter Bags

- #1402
- 200 Bags Per Roll (400 Bags)
- 8" Wide x 13" Tall
- Perforated Bag Separation
- Opaque Green

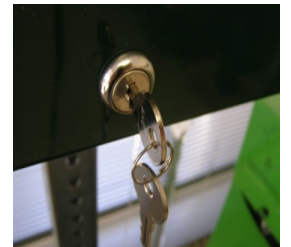


Set Of 2 Keys

- #1102

Lock

- #1106



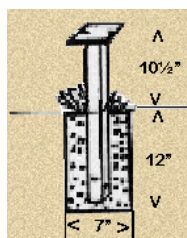
1 Box Of Trash Liner Bags

- #1404
- 50 Bags Per Box
- Heavy-Duty, 10-15 Gallons



Aluminum Mounting Post With Plate

- Post 1.5" x 1.5" x 22"
- Top Plate 3" x 3.5"



Available Replacements:

- Lock With Set Of Two Keys #1106
- Set Of Two Keys #1102
- Pair Of Rubber Side Flaps #1509
- Aluminum DogValet Decal 16" W X 9.5" H
- Maintenance Spray Paint #1619

Replacement Keys, Locks, And Other Parts Available

Yucko's

314-770-1500
9am-4pm Mon-Fri



The Smart Solution to Dog Pollution.

www.yuckos.com

ALUMINUM DOGIPOT® DOGVALET® (ITEM #1001-2)

SPECIFICATION, INSTALLATION AND OPERATION SHEET



YOUR ALUMINUM DOGIPOT® DOGVALET® INCLUDES:

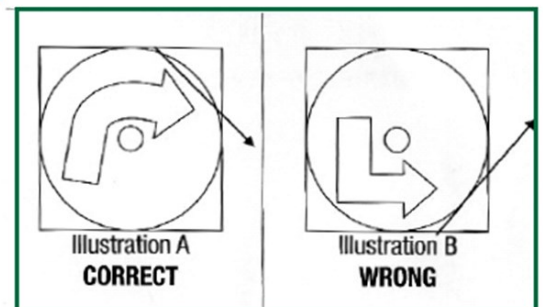
- Aluminum **DOGIPOT® DOGVALET®**, forest green
- Two (2) keys for locking front access lid (same key fits all **DOGIPOT®** dispensers except ITEM #1007-2)
- Two (2) rolls of **DOGIPOT® Smart Litter Pick Up Bags™** (ITEM #1402 (200 count per roll), installed in **DOGIPOT®** lid
- One (1) box **DOGIPOT® Smart Trash Liner Bags™** (ITEM #1404) (50 count)
- Two (2) 2" x 5/16" bolts and lock washers
- Aluminum mounting pillar

PLEASE CHECK THE ABOVE INVENTORY AND CALL YOUR DISTRIBUTOR IF ANY PARTS ARE MISSING.

INSTALLATION AND OPERATION INSTRUCTIONS

1. Select a good spot in your community or park where you want to install the Aluminum **DOGIPOT® DOGVALET®**.
2. Dig a 7" diameter hole, approximately 12" deep into the soft ground. Insert the aluminum mounting pillar up to marker line approximately 12" into the hole filled with a 40 lb. bag of "ready to use concrete mix". **The mounting plate should be approximately 10½" above the ground.** Level the post in a straight vertical position and let concrete dry for at least 12 hours.
3. After concrete is dry, the mounting pillar should be sturdy and safe for installation. Slide the Aluminum **DOGIPOT® DOGVALET®** over the pillar, matching the holes in the mounting plate with the holes in the **DOGVALET®** body plate. Secure the **DOGVALET®** with the two (2) 5/16" bolts and lock washers using a ½" wrench.
4. Insert one of the enclosed **DOGIPOT® Smart Trash Liner Bags™** into the container body (fold over the upper edge of the container.)
6. To replace the rolls of **DOGIPOT® Smart Litter Pick Up Bags™**, pull out the empty box, remove the diamond shaped perforated tab from a new bag/roll box and push box in place on the lid shelf. The lid dispenser opening should match the box opening and the lettering on the box should not be upside down. Be sure the bags will be dispensed following the upper wall of the dispenser opening (see Illustrations A and B) to ensure maximum tension when tearing off bags. **The DOGIPOT® printing on the litter pick up bags will be visible when hanging out of the dispenser slots.** Close the lid and pull the first bag out by finding the raw edge of the first bag through the dispenser opening.

6. ENJOY WATCHING PET OWNERS PICK UP AFTER THEIR DOGS!



Yucko's

314-770-1500
9am-4pm Mon-Fri



DOGIPOT®



The Smart Solution to Dog Pollution.

www.yuckos.com

ALUMINUM DOGIPOT® DOGVALET (ITEM #1001-2)

SPECIFICATION, INSTALLATION AND OPERATION SHEET

(A) ALUMINUM DOGIPOT® DOGVALET (ITEM #1001-2)

- H: 30" x W" 17" x D: 10"
- 13 gauge powder coated forest green aluminum
- Weight: 40 lbs.
- 400 bag capacity
- Two diamond shaped bag dispenser slots
- Locking front access lid
- One (1) box 50 count **DOGIPOT® Smart Liner Trash Bags™** (ITEM #1404) included (5 lbs.)
- 4½" diameter square receptacle openings on each side with rubber flaps
- Clearly posted instructions

(B) ALUMINUM MOUNTING POST WITH PLATE

- H: 22' x W" 1.5" x D: 1.5"
- 11 gauge aluminum
- Top plate 3.5" x 3.0" x ¼" with 2 5/16" tapped holes
- Weight: 2 lbs.

TOTAL HEIGHT FROM ABOVE GROUND:

- 40"

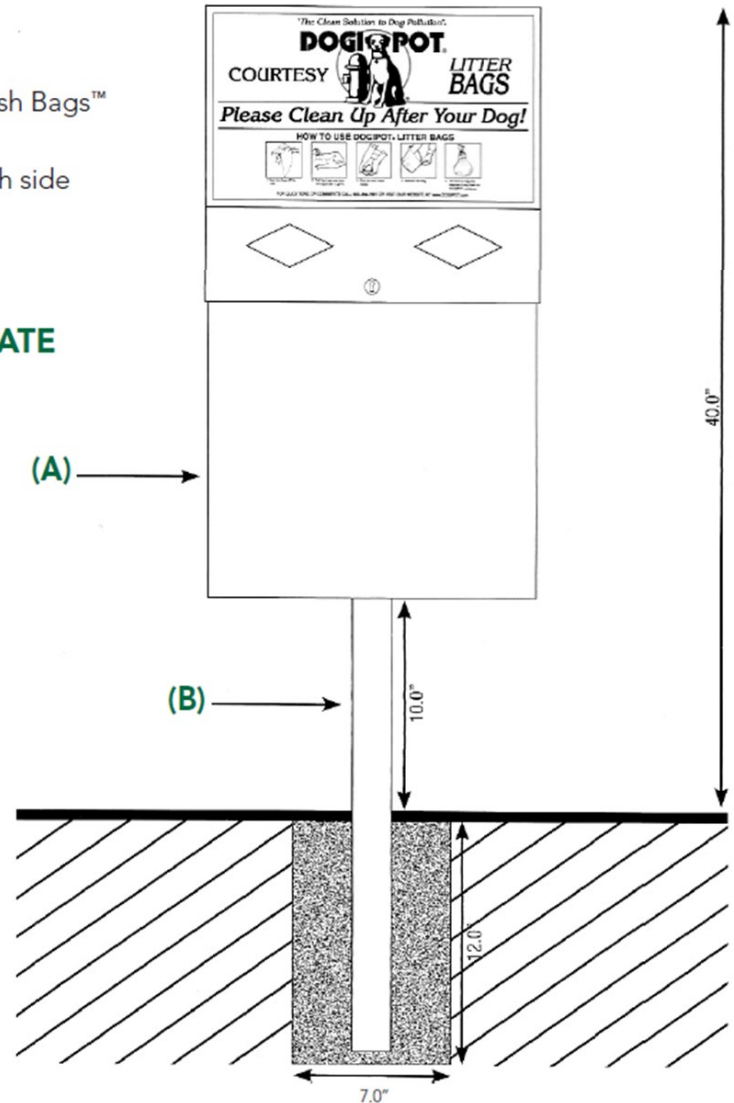
SPACE BETWEEN GROUND AND DOGVALET:

- 10.0"

HOLE:

- D: 12.0" x W: 7.0"
- Fill with 40 lbs. "ready to use" cement

TOTAL SHIP WEIGHT: 42 LBS.
(MOUNTING HARDWARE INCLUDED)



Poly DogValets
 Forest Green #1005-2
 Sand Beige #1006-2

314-770-1500
 9am-4pm Mon-Fri



www.yuckos.com



- Sand Beige Color #1006-2
- Forest Green Color #1005-2
- 32.0" Tall x 19.0" Wide x 14.0" Deep
- Front Locking Access Panel
- .192 mm Rotational Molded Polyethylene
- Clearly Posted Instructions



2 Rolls Of Litter Bags

- #1402
- 200 Bags Per Roll (400 Bags)
- 8" Wide x 13" Tall
- Perforated Bag Separation
- Opaque Green

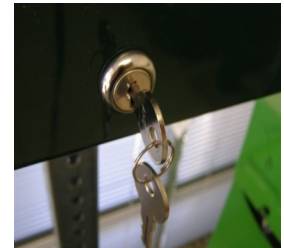


Set Of 2 Keys

- #1102

Lock

- #1103



1 Box Of Trash Liner Bags

- #1404
- 50 Bags Per Box
- Heavy-Duty, 10-15 Gallons



4' Telescopic Galvanized Steel Post

- #1302T
- 2" W x 2" D x 2.5'-4' H



Available Replacement Items:

- Lock With Set Of Two Keys #1103
- Set Of Two Keys #1102

Replacement Keys, Locks, And Other Parts Available

Yucko's

314-770-1500
9am-4pm Mon-Fri



DOGIPOT®

The Smart Solution to Dog Pollution.

www.yuckos.com

POLY DOGIPOT® DOGVALET® (ITEM #1005-2 AND ITEM #1006-2) SPECIFICATION, INSTALLATION AND OPERATION SHEET



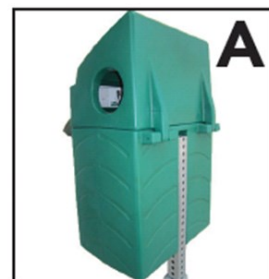
YOUR POLY DOGIPOT® DOGVALET® INCLUDES:

- Poly **DOGIPOT® DOGVALET®**, forest green (ITEM #1005-2) or sand beige (ITEM #1006-2)
- Two (2) keys for locking front access lid (same key fits all **DOGIPOT®** dispensers except ITEM #1007-2)
- Two (2) rolls of **DOGIPOT® Smart Litter Pick Up Bags™** (ITEM #1402) (200 count per roll), installed in **DOGIPOT® DOGVALET®** lid
- One (1) box **DOGIPOT® Smart Liner Trash Bags™** (ITEM #1404) (50 count)
- Two (2) 3" x 5/16" bolts, washers and locknuts

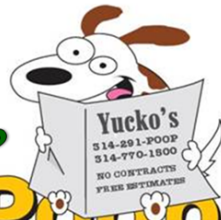
- One (1) 2" x 2" x 2' telescoping galvanized steel mounting post

INSTALLATION AND OPERATION INSTRUCTIONS

1. Select a good visible spot in your community or park where you want to install the Poly **DOGIPOT® DOGVALET®**.
2. Insert the smaller portion of the post (1 3/4") into the larger portions (2") until the first 9 holes are lined up between the posts. Using the (2) carriage bolts, washers and locknuts, install them in the 4th and 6th holes and tighten. The head of the bolts should face front to back. Over all length should be 38 inches.
3. Dig a 7" diameter hole, approximately 14" deep into the soft ground. Insert the smaller (1 3/4") smaller of the telescoping galvanized steel post approximately 12" into the hole filled with a 40 lb. bag of "ready to use concrete mix". Level the post in strait vertical position and let concrete dry for at least 12 hours.
4. Slide the Poly **DOGIPOT® DOGVALET®**'s back wall inset completely over the 2" x 2" mounting post (see illustration A). Use the (2) 3" bolts, washers and locknuts, fasten the mounting post to the container through the pre-drilled holes inside the **DOGVALET®** body. You may have to wiggle the **DOGVALET®** slightly up and down on the mounting post to get the bolts through the holes in the **DOGVALET®** and the mounting post.
5. Insert one of the enclosed **DOGIPOT® Smart Liner Trash Bags™** into the container body (fold over the upper edge of the container) (see Illustration B).
6. To replace the rolls of **DOGIPOT® Smart Litter Pick Up Bags™**, pull out the empty box, remove the diamond shaped perforated tab from a new bag/roll box and push box in place on the lid shelf. The lid dispenser opening should match the box opening and the lettering on the box should not be upside down. Be sure the bags will be dispensed following the upper wall of the dispenser opening see Illustration C). Close the lid and pull the first bag out by finding the raw edge of the first bag through the dispenser opening.
7. **ENJOY WATCHING PET OWNERS PICK UP AFTER THEIR DOGS!**



Yucko's



DOG Got Poop..?

www.yuckos.com

DOGIPOT®



The Smart Solution to Dog Pollution.

www.yuckos.com

314-770-1500
9am-4pm Mon-Fri

POLY DOGIPOT® DOGVALET® (ITEM #1005-2 AND ITEM #1006-2) SPECIFICATION, INSTALLATION AND OPERATION SHEET

(A) POLY DOGIPOT® DOGVALET® (ITEM #1005-2 AND ITEM #1006-2)

- H: 31" x W: 19" x D: 14"
- .192" forest green or sand beige polyethylene
- Weight: 30 lbs.
- 400 bag capacity
- Two diamond bag dispenser slots
- Locking front access lid
- One (1) box 50 count **DOGIPOT®** Smart Liner Trash Bags™ (ITEM #1404) included (5 lbs.)
- 5" diameter round receptacle openings on each side
- Clearly posted instructions

(B) GALVANIZED TELESCOPING STEEL MOUNTING POST (ITEM #1302T)

- H: 2' x W: 2" x D: 2"
- 11 gauge galvanized steel
- Weight: 9 lbs.
- Two (2) carriage bolts / Two (2) washers & locknuts

TOTAL HEIGHT FROM ABOVE GROUND:

- 41"

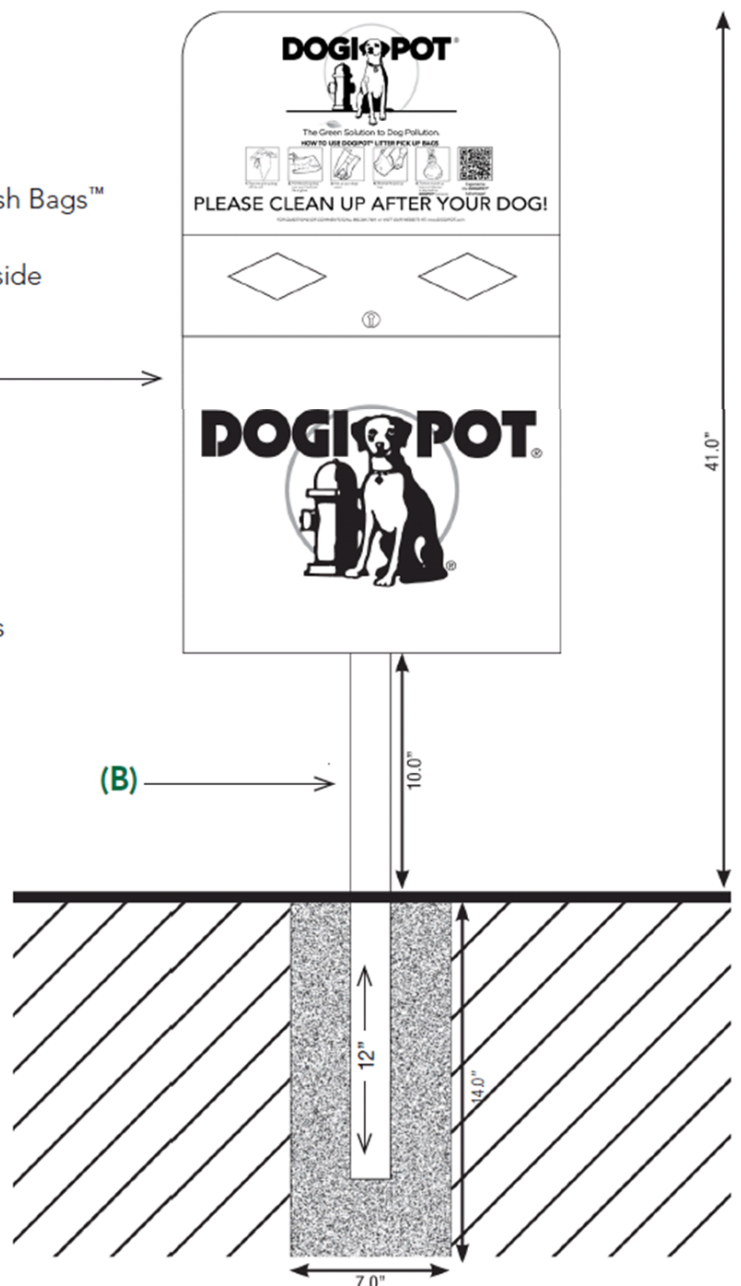
SPACE BETWEEN GROUND AND DOGVALET®:

- 10.0"

HOLE:

- D: 14.0" x W: 7.0"
- Fill with 40 lbs. "ready to use" concrete

TOTAL SHIP WEIGHT: 39 LBS.
(MOUNTING HARDWARE INCLUDED)





3027 Charmbrook Lane
 Maryland Heights, MO 63043
 yuckos@yuckos.com
 Tel: 314-770-1500 Fax: 314-291-7667



Client Information
 Shipping Address:

DogValet Order Form

Aluminum DogValet

Model #	Product Name	Price Ea	Quantity	Total
1001-2	Aluminum DogValet Quantity Of 1-14	\$495.00		\$
1001-2	Aluminum DogValet Quantity Of 15-25	\$485.00		\$
1001-2	Aluminum DogValet Quantity Of 26-49	\$475.00		\$
1001-2	Aluminum DogValet Quantity Of 50+	\$455.00		\$

Billing Address: (If Different)

Poly DogValet - Forest Green

Model #	Product Name	Price	Quantity	Total
1005-2	Poly DogValet Forest Green Quantity Of 1-14	\$275.00		\$
1005-2	Poly DogValet Forest Green Quantity Of 15-25	\$265.00		\$
1005-2	Poly DogValet Forest Green Quantity Of 26-49	\$255.00		\$
1005-2	Poly DogValet Forest Green Quantity Of 50+	\$245.00		\$

Email Address:

Contact Number:

Poly DogValet - Sand Beige

Model #	Product Name	Price	Quantity	Total
1006-2	Poly DogValet Sand Beige Quantity Of 1-14	\$275.00		\$
1006-2	Poly DogValet Sand Beige Quantity Of 15-25	\$265.00		\$
1006-2	Poly DogValet Sand Beige Quantity Of 26-49	\$255.00		\$
1006-2	Poly DogValet Sand Beige Quantity Of 50+	\$245.00		\$

Payment Method:
 Check Number
 Card Number
 Exp Date: CVS Code:

Replacement Parts And Accessories

Model #	Product Name	Price	Quantity	Total
1102	Aluminum DogValet Set Of 2 Keys	\$3.00		\$
1106	Aluminum DogValet Lock With 2 Keys	\$12.00		\$
1102	Poly DogValet Set Of 2 Keys	\$3.00		\$
1103	Poly DogValet Lock With 2 Keys	\$12.00		\$
DECAL V	Aluminum DogValet Decal 16" W x 9.5" H	\$5.95		\$
1509	Set Of Aluminum DogValet Rubber Side Flaps	\$10.00		\$

Notes:

Smart Litter Pick Up Bags - Rolled 200 Bags Per Roll

Model #	Product Name	Price Ea	Quantity	Total
1402-S	Single Roll	\$10.95		\$
1402-10	10 Roll Case Of Litter Bags	\$81.00		\$
1402-20	20 Roll Case Of Litter Bags	\$152.00		\$
1402-30	30 Roll Case (Quantity 1-4 Cases)	\$216.00		\$
1402-30	30 Roll Case (Quantity 5-10 Cases)	\$189.00		\$
1402-30	30 Roll Case (Quantity 11-29 Cases)	\$177.00		\$
1402-30	30 Roll Case (Quantity 30+ Cases)	\$168.00		\$

Shipping Cost
 Over 250 Lbs Must Be Quoted
5 Or More DogValets Must Be Quoted

Trash Liners 50 Bags Per Box

Model #	Product Name	Price Ea	Quantity	Total
1404	Trash Liner Bags (Quantity 1-7 Cases)	\$17.50		\$
1404	Trash Liner Bags (Quantity 8-15 Cases)	\$16.25		\$
1404	Trash Liner Bags (Quantity 16+ Cases)	\$15.00		\$

Purchasing \$	Shipping \$
\$0 To \$10	\$3.00
\$10.01 To \$23	\$7.00
\$23.01 To \$100	\$12.00
\$100.01 To \$220	\$29.00

Item Subtotal:	\$	\$220.01 To \$300	\$40.00
Shipping (Use Chart On Left)	\$	\$300.01 To \$350	\$45.00
MO Sales Tax, If Applicable (7.613%)	\$	\$350.01 To \$400	\$55.00
Total:	\$	\$400.01 To \$450	\$60.00

Orders Outside Continental USA Must Be Quoted
 Seller Not Responsible For Customs Delays
 Clients Are Responsible For All Brokerage Fees
 And Custom Charges
 All Returns Are Subject To 20% Restocking Fee
 And All Shipping Paid By Purchaser



\$450.01 To \$500	\$70.00
\$500.01 To \$600	\$80.00
\$600.01 To \$700	\$90.00
\$700.01 To \$800	\$95.00
\$800.01 To \$900	\$100.00
\$900.01 To \$1000	\$110.00
\$1000.01 To \$1100	\$135.00
Over \$1100.01	\$160.00

Aluminum Junior Dispenser

#1002-2

314-770-1500
9am-4pm Mon-Fri

Yucko's



DOGIPOT



www.yuckos.com



Aluminum Junior Dispenser

- #1002-2
- 12 Gauge Aluminum
- Powder Coated Aluminum
- Forest Green
- Locking Access Panel
- Clear Instructions Posted
- Easy & Versatile Installation
- Measures 15.5" x 9.4" x 3.25"

2 Rolls Of Litter Bags

- #1402
- 200 Bags Per Roll (400 Bags)
- 8" Wide x 13" Tall
- Perforated Bag Separation
- Opaque Green

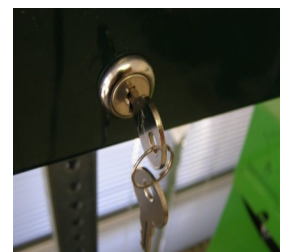


Set Of 2 Keys

- #1102

Lock

- #1105



Aluminum Junior Dispensers Can Be Converted From Dispensing Rolled Litter Bags To Dispensing Header Paks!



Available Replacements:

- Cover For Dispenser With Decal, Lock And Set Of Two Keys #1002-L
- Lock With Set Of Two Keys #1105
- Set Of Two Keys #1102
- Junior Dispenser Decal 9" W X 8.25" H
- Maintenance Spray Paint #1619

Replacement Keys, Locks, And Other Parts Available

Yucko's

314-770-1500
9am-4pm Mon-Fri



The Smart Solution to Dog Pollution.

www.yuckos.com

ALUMINUM DOGIPOT® JUNIOR BAG DISPENSER (ITEM #1002-2) SPECIFICATION, INSTALLATION AND OPERATION SHEET



YOUR ALUMINUM DOGIPOT® JUNIOR BAG DISPENSER INCLUDES:

- Aluminum **DOGIPOT®** JUNIOR Bag Dispenser
- Mounting hardware for 1¾" x 1¾" to 2" x 2" square or channel post, (two (1) 2½" x ¼" bolts, washers and locknuts)
- Two (2) keys for dispenser locking front access panel
- Two (2) rolls of **DOGIPOT®** Smart Litter Pick Up Bags™ (ITEM #1402) (200 count per roll), installed in **DOGIPOT®** JUNIOR Bag Dispenser

PLEASE CHECK THE ABOVE INVENTORY AND CALL YOUR DISTRIBUTOR IF ANY PARTS ARE MISSING.

INSTALLATION AND OPERATION INSTRUCTIONS

1. Select a good visible spot in your community or park where you want to install the Aluminum **DOGIPOT®** JUNIOR Bag Dispenser, such as on a post, building wall, tree, fence post, street sign post, etc. The recommended installation height of the Aluminum **DOGIPOT®** JUNIOR Bag Dispenser is 60" (5').
2. Remove the two keys from the back of the dispenser. Insert key into the universal cam lock on the front access panel and turn one quarter to the right or left. Pull the lower part of the front access panel approximately 2" towards you and lift to release and separate the front access panel from the body of the Dispenser.
3. The Dispenser has two pre-drilled holes through the back wall. These two holes and the mounting hardware included match with the holes of every standard channel or square telescopic mounting post.
4. To refill the Dispenser with **DOGIPOT®** Smart Litter Pick Up Bags™, take two (2) boxed rolls, and tear off the perforated seal from each box. Place the two boxes on top of each other on the shelf in the body of the Dispenser with the opening of the boxes facing the front. Reinstall the front locking access panel and lock with the cam lock key.
5. Reach through the two diamond shaped openings and find the raw edge of the first bag through each of the slots and pull until the **DOGIPOT®** logo is visible.
6. **ENJOY WATCHING PET OWNERS PICK UP AFTER THEIR DOGS!**

Yucko's

314-770-1500
9am-4pm Mon-Fri



DOGIPOT®



The Smart Solution to Dog Pollution.

www.yuckos.com

ALUMINUM DOGIPOT® JUNIOR BAG DISPENSER (ITEM #1002-2) SPECIFICATION, INSTALLATION AND OPERATION SHEET

• ALUMINUM DOGIPOT® JUNIOR BAG DISPENSER (ITEM #1002-2)

- H: 15.5" x W: 9.4" x D: 3.25"
- 12 gauge powder coated forest green aluminum
- Weight: 7 lbs.
- 400 bag capacity
- Two diamond shaped bag dispenser slots
- Front locking access panel
- Clearly posted instructions

• DESIGNED TO MOUNT ON 2" X 2" STEEL SQUARE OR CHANNEL POST

- Mounting hardware included

• CAN ALSO BE MOUNTED ON FENCE, WALL AND WOOD POST

- Hardware not included

• TWO (2) ROLLS OF DOGIPOT® SMART LITTER PICK UP BAGS™

- 200 count per roll

TOTAL SHIP WEIGHT: 7 LBS.

The Smart Solution to Dog Pollution.

HOW TO USE DOGIPOT® LITTER PICK UP BAGS

1. Tear away pick up bag off the roll.
2. Roll the pick up bag over your hand just like a glove.
3. Pick up your dog's waste.
4. Remove the pick up bag.
5. Tie the roll pick up bag and dispose in any trash or DOGIPOT container.

PLEASE CLEAN UP AFTER YOUR DOG!

FOR QUESTIONS OR COMMENTS CALL 800.364.1481 OR VISIT OUR WEBSITE AT WWW.DOGIPOT.COM

Aluminum Mini Junior Dispenser #1002M-2

314-770-1500
9am-4pm Mon-Fri



Aluminum Mini Junior Dispenser

- #1002M-2
- 14 Gauge Aluminum
- Powder Coated Aluminum
- Forest Green
- Front Locking Access Panel
- Clear Instructions Posted
- Easy & Versatile Installation
- Measures 12.5" x 9" x 3.5"
- Front Panel Hinged To Bottom



2 Rolls Of Litter Bags

- #1402
- 200 Bags Per Roll (400 Bags)
- 8" Wide x 13" Tall
- Perforated Bag Separation
- Opaque Green

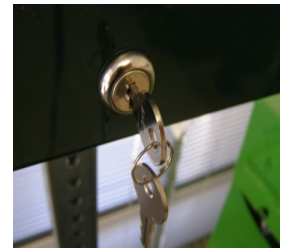


Set Of 2 Keys

- #1102

Lock

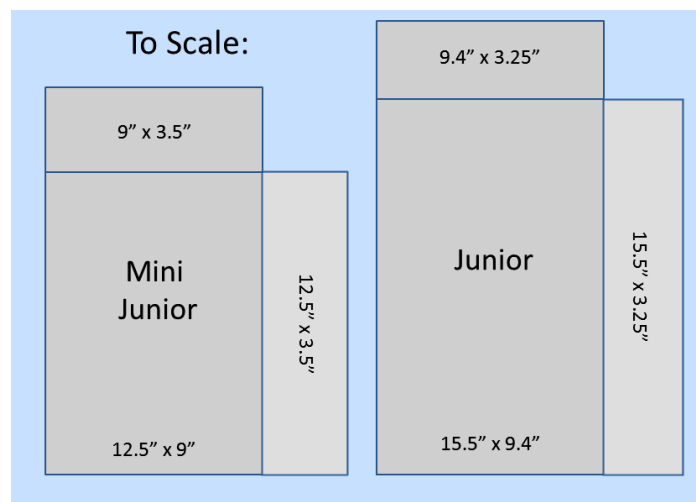
- #1105



Size Comparison Of Aluminum Mini Junior And Aluminum Junior



#1002M-2



#1002-2

Replacement Keys And Locks Available

Available Replacements:

- Lock With Set Of Two Keys #1105
- Set Of Two Keys #1102
- Maintenance Spray Paint #1619

Yucko's

314-770-1500
9am-4pm Mon-Fri



www.yuckos.com

ALUMINUM DOGIPOT® MINI JUNIOR BAG DISPENSER (ITEM #1002M-2) SPECIFICATION, INSTALLATION AND OPERATION SHEET

YOUR ALUMINUM DOGIPOT® MINI JUNIOR BAG DISPENSER INCLUDES:

- Aluminum **DOGIPOT®** MINI JUNIOR Bag Dispenser
- Mounting hardware for 1¾" x 1¾" to 2" x 2" square or channel post, (two (1) 2½" x ¼" bolts, washers and locknuts)
- Two (2) keys for dispenser locking front access panel
- Two (2) rolls of **DOGIPOT®** Smart Litter Pick Up Bags™ (ITEM #1402) (200 count per roll), installed in **DOGIPOT®** MINI JUNIOR Bag Dispenser



PLEASE CHECK THE ABOVE INVENTORY AND CALL YOUR DISTRIBUTOR IF ANY PARTS ARE MISSING.

INSTALLATION AND OPERATION INSTRUCTIONS

1. Select a good visible spot in your community or park where you want to install the Aluminum **DOGIPOT®** MINI JUNIOR Bag Dispenser, such as on a post, building wall, tree, fence post, street sign post, etc. The recommended installation height of the Aluminum **DOGIPOT®** MINI JUNIOR Bag Dispenser is 60" (5').
2. Remove the two keys from the back of the dispenser. Insert key into the universal cam lock on the front access panel and turn one quarter to the right or left. Pull the front access panel towards you and lower from the body of the Dispenser.
3. The Dispenser has two pre-drilled holes through the back wall. These two holes and the mounting hardware included match with the holes of every standard channel or square telescopic mounting post.
4. To refill the Dispenser with **DOGIPOT®** Smart Litter Pick Up Bags™, take two (2) boxed rolls, and tear off the perforated seal from each box. Place the two boxes on top of each other on the shelf in the body of the Dispenser with the opening of the boxes facing the front. Close the front locking access panel and lock with the cam lock key.
5. Reach through the two diamond shaped openings and find the raw edge of the first bag through each of the slots and pull until the **DOGIPOT®** logo is visible.
6. **ENJOY WATCHING PET OWNERS PICK UP AFTER THEIR DOGS!**

Yucko's



314-770-1500
9am-4pm Mon-Fri



The Smart Solution to Dog Pollution.

www.yuckos.com

ALUMINUM DOGIPOT® MINI JUNIOR BAG DISPENSER (ITEM #1002M-2) SPECIFICATION, INSTALLATION AND OPERATION SHEET

• ALUMINUM DOGIPOT® MINI JUNIOR BAG DISPENSER (ITEM #1002M-2)

- H: 12.5" x W: 9" x D: 3.50"
- 14 gauge powder coated forest green aluminum
- Weight: 6 lbs.
- 400 bag capacity
- Two diamond shaped bag dispenser slots
- Front locking access panel
- Clearly posted instructions

• DESIGNED TO MOUNT ON 2" X 2" STEEL SQUARE OR CHANNEL POST

- Mounting hardware included

• CAN ALSO BE MOUNTED ON FENCE, WALL AND WOOD POST

- Hardware not included

• TWO (2) ROLLS OF DOGIPOT® SMART LITTER PICK UP BAGS™

- 200 count per roll

TOTAL SHIP WEIGHT: 6 LBS.





3027 Charmbrook Lane
 Maryland Heights, MO 63043
 yuckos@yuckos.com
 Tel: 314-770-1500 Fax: 314-291-7667

Client Information
 Shipping Address:

Aluminum Junior Dispensers - Rolled Bags

Aluminum Mini Junior Dispenser

Model #	Product Name	Price Ea	Quantity	Total
1002M-2	Aluminum Mini Jr Dispenser Quantity Of 1-14	\$89.00		\$
1002M-2	Aluminum Mini Jr Dispenser Quantity Of 15-25	\$80.00		\$
1002M-2	Aluminum Mini Jr Dispenser Quantity Of 26-49	\$75.00		\$
1002M-2	Aluminum Mini Jr Dispenser Quantity Of 50+	\$70.00		\$

Billing Address: (If Different)

Aluminum Junior Dispenser

Model #	Product Name	Price Ea	Quantity	Total
1002-2	Aluminum Jr Dispenser Quantity Of 1-14	\$99.00		\$
1002-2	Aluminum Jr Dispenser Quantity Of 15-25	\$89.00		\$
1002-2	Aluminum Jr Dispenser Quantity Of 26-49	\$79.00		\$
1002-2	Aluminum Jr Dispenser Quantity Of 50+	\$75.00		\$

Email Address:

Contact Number:

Replacement Parts And Accessories

Model #	Product Name	Price Ea	Quantity	Total
1102	Set Of 2 Keys For Aluminum Mini Junior	\$3.00		\$
1105	Lock With 2 Keys For Aluminum Mini Junior	\$12.00		\$
1102	Set Of 2 Keys For Aluminum Junior	\$3.00		\$
1105	Lock With 2 Keys For Aluminum Junior	\$12.00		\$
1002-L	Aluminum Jr Lid W/Decal, Lock And Set Of 2 Keys	\$44.00		\$
DECAL J	Junior Dispenser Decal 9" W X 8.25" H	\$5.95		\$
1619	Maintenance Spray Paint	\$5.95		\$
1301-P	8' Galvanized Steel Telescopic Post	\$69.95		\$
1304	8' Composite Green Telescopic Post	\$69.95		\$
1302	4' Galvanized Steel Post	\$39.00		\$
1308	2" Rain Cap	\$9.95		\$
1307	1 ³ / ₄ " Rain Cap	\$9.95		\$
1306	Flat Concrete Post Base	\$69.00		\$
1310	Mobile Mounting Base	\$359.99		\$
1305	Cast Iron Pedestal Post Base	\$215.00		\$

Payment Method:

Check Number

Card Number

Exp Date:

CVS Code:

Notes:

Header Pak Conversion Kit And Pieces

Model #	Product Name	Price Ea	Quantity	Total
1002HP-CK	Header Pak Bag Dispenser Conversion Kit	\$65.00		\$
1002HP-H	Replacement 3-Prong Bag Holder	\$21.00		\$
1002HP-L	Header Pak Jr Lid W/Decal, Lock And Set Of 2 Keys	\$44.00		\$

Shipping Cost

Over 250 Lbs Must Be Quoted

Purchasing \$

Shipping \$

Smart Litter Pick Up Bags - Rolled 200 Bags Per Roll

Model #	Product Name	Price Ea	Quantity	Total	\$0 To \$10	\$3.00
1402-S	Single Roll	\$10.95		\$	\$10.01 To \$23	\$7.00
1402-10	10 Roll Case Of Litter Bags	\$81.00		\$	\$23.01 To \$100	\$12.00
1402-20	20 Roll Case Of Litter Bags	\$152.00		\$	\$100.01 To \$220	\$29.00
1402-30	30 Roll Case (Quantity 1-4 Cases)	\$216.00		\$	\$220.01 To \$300	\$40.00
1402-30	30 Roll Case (Quantity 5-10 Cases)	\$189.00		\$	\$300.01 To \$350	\$45.00
1402-30	30 Roll Case (Quantity 11-29 Cases)	\$177.00		\$	\$350.01 To \$400	\$55.00
1402-30	30 Roll Case (Quantity 30+ Cases)	\$168.00		\$	\$400.01 To \$450	\$60.00
					\$450.01 To \$500	\$70.00

Item Subtotal: \$

Shipping (Use Chart On Left) \$

MO Sales Tax, If Applicable (7.613%) \$

Total: \$

\$500.01 To \$600	\$80.00
\$600.01 To \$700	\$90.00
\$700.01 To \$800	\$95.00
\$800.01 To \$900	\$100.00
\$900.01 To \$1000	\$110.00
\$1000.01 To \$1100	\$135.00
Over \$1100.01	\$160.00



Orders Outside Continental USA Must Be Quoted

Seller Not Responsible For Customs Delays

Clients Are Responsible For All Brokerage Fees And Custom Charges

All Returns Are Subject To 20% Restocking Fee And All Shipping Paid By Purchaser

Aluminum Header Pak Junior Dispenser #1002HP-4

314-770-1500
9am-4pm Mon-Fri



Aluminum Header Pak Junior Dispenser

- #1002HP-4
- 12 Gauge Aluminum
- Powder Coated Aluminum
- Forest Green
- Locking Access Panel
- Clear Instructions Posted
- Easy & Versatile Installation
- Measures 15.5" x 9.4" x 3.25"

2 Header Pak Litter Bag Cards

- #1402HP
- 200 Bags Per Card (400 Bags)
- 8" Wide x 13" Tall
- Perforated Bag Separation
- Opaque Green

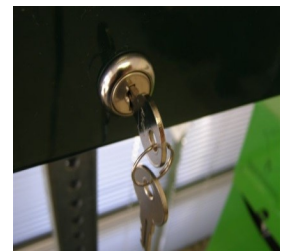


Set Of 2 Keys

- #1102

Lock

- #1111



Available Replacements:

- Header Pak Replacement Lid With Decal, Lock And Two Keys #1002HP-L
- 3-Prong Bag Holder #1002HP-H
- Lock With Set Of Two Keys #1111
- Set Of Two Keys #1102
- Header Pak Junior Dispenser Decal 9" W X 7.5" H
- Maintenance Spray Paint #1619

Replacement Keys, Locks, And Other Parts Available

Yucko's

314-770-1500
9am-4pm Mon-Fri



The Smart Solution to Dog Pollution.

www.yuckos.com

ALUMINUM DOGIPOT® HEADER PAK JUNIOR BAG DISPENSER (ITEM #1002HP-4) SPECIFICATION, INSTALLATION AND OPERATION SHEET



YOUR ALUMINUM DOGIPOT® HEADER PAK JUNIOR BAG DISPENSER INCLUDES:

- One (1) Aluminum **DOGIPOT®** HEADER PAK JUNIOR Bag Dispenser
- Mounting hardware for 1 3/4" x 1 3/4" to 2" x 2" square or channel post, (two (2) 2 1/2" bolts, washers and locknuts)
- Two (2) keys for dispenser locking front access panel
- Four (4) HEADER PAKS OF **DOGIPOT®** Smart Litter Pick Up Bags™ (100 count per pak), installed in **DOGIPOT®** HEADER PAK JUNIOR Bag Dispenser
- HEADER PAK 3 Prong Bag Holder

PLEASE CHECK THE ABOVE INVENTORY AND CALL YOUR DISTRIBUTOR IF ANY PARTS ARE MISSING.

INSTALLATION AND OPERATION INSTRUCTIONS

1. Select a good visible spot in your community or park where you want to install the Aluminum **DOGIPOT®** HEADER PAK JUNIOR Bag Dispenser, such as on a post, building wall, tree, fence post, street sign post, etc. The recommended installation height of the **DOGIPOT®** HEADER PAK JUNIOR Bag Dispenser is 60" (5').
2. Remove the two keys from the back of the Dispenser. Insert key into the universal cam lock on the bottom access panel and turn one quarter to the right or left. Carefully, pull the lower part of the front access panel approximately 2" towards you and lift to release and separate the front access panel from the body of the Dispenser.
3. The Dispenser has two pre-drilled holes through the back wall. These two holes and the mounting hardware included match with the holes of every standard channel or square telescopic mounting post.
4. Take HEADER PAK 3 prong bag holder, using one 2 1/2" bolt, place bolt through holder and Dispenser body top hole, attach to post with 1 washer, 1 nylon insert locknut, and tighten. Use remaining bolt, washers and locknut for bottom hole for mounting to a standard channel type or square telescopic post.
5. Hang four (4) HEADER PAKS OF **DOGIPOT®** Smart Litter Pick Up Bags™ (100 count each per pak), with the **DOGIPOT®** logo facing front. Install the front access panel, lock it with the cam lock key. Reach in slot, pull out bag, and use to pick up dog waste. Refill with HEADER PAKS OF **DOGIPOT®** Smart Litter Pick Up Bags™ as needed.
6. **ENJOY WATCHING PET OWNERS PICK UP AFTER THEIR DOGS!**

Yucko's

314-770-1500
9am-4pm Mon-Fri



DOGIPOT®



The Smart Solution to Dog Pollution.

www.yuckos.com

ALUMINUM DOGIPOT® JUNIOR BAG DISPENSER (ITEM #1002HP-4) SPECIFICATION, INSTALLATION AND OPERATION SHEET

• ALUMINUM DOGIPOT® HEADER PAK JUNIOR BAG DISPENSER (ITEM #1002HP-4)

- H: 15.5" x W: 9.4" x D: 3.25"
- 12 gauge powder coated forest green aluminum
- Weight: 7 lbs.
- 400 bag capacity
- One diamond shaped bag dispenser slot
- Front locking access panel
- Clearly posted instructions

• DESIGNED TO MOUNT ON 2" X 2" STEEL SQUARE OR CHANNEL POST

- Mounting hardware included

• CAN ALSO BE MOUNTED ON FENCE, WALL AND WOOD POST

- Hardware not included

• FOUR (4) HEADER PAKS OF DOGIPOT® SMART LITTER PICK UP BAGS™

- 100 count per roll

• HEADER PAK 3 PRONG BAG HOLDER

TOTAL SHIP WEIGHT: 7 LBS.

The Smart Solution to Dog Pollution.

HOW TO USE DOGIPOT® LITTER PICK UP BAGS

PLEASE CLEAN UP AFTER YOUR DOG!

FOR QUESTIONS OR COMMENTS CALL 800.364.7681 OR VISIT OUR WEBSITE AT www.DOGIPOT.com

Yucko's

3027 Charmbrook Lane
 Maryland Heights, MO 63043
 yuckos@yuckos.com
 Tel: 314-770-1500 Fax: 314-291-7667



Aluminum Header Pak Junior Dispenser

Client Information
 Shipping Address:

Aluminum Header Pak Junior Dispenser

Billing Address: (If Different)

Model #	Product Name	Price Ea	Quantity	Total
1002HP-4	Header Pak Jr Dispenser Quantity Of 1-14	\$119.00		\$
1002HP-4	Header Pak Jr Dispenser Quantity Of 15-25	\$109.00		\$
1002HP-4	Header Pak Jr Dispenser Quantity Of 26-49	\$99.00		\$
1002HP-4	Header Pak Jr Dispenser Quantity Of 50+	\$89.00		\$

Replacement Parts And Accessories

Email Address:

Model #	Product Name	Price Ea	Quantity	Total
1102	Set Of 2 Keys For Header Pak Junior Dispenser	\$3.00		\$
1111	Lock With 2 Keys For Header Pak Junior Dispenser	\$12.00		\$
DECAL HP	Header Pak Junior Dispenser Decal 9" W X 7.5" H	\$5.95		\$
1619	Maintenance Spray Paint	\$5.95		\$
1301-P	8' Galvanized Steel Telescopic Post	\$69.95		\$
1304	8' Composite Green Telescopic Post	\$69.95		\$
1302	4' Galvanized Steel Post	\$39.00		\$
1308	2" Rain Cap	\$9.95		\$
1307	1 ³ / ₄ " Rain Cap	\$9.95		\$
1306	Flat Concrete Post Base	\$69.00		\$
1310	Mobile Mounting Base	\$359.99		\$
1305	Cast Iron Pedestal Post Base	\$215.00		\$

Contact Number:

Payment Method:
 Check Number
 Card Number
 Exp Date: CVS Code:

Header Pak Conversion Kit And Pieces

Notes:

Model #	Product Name	Price Ea	Quantity	Total
1002HP-CK	Header Pak Bag Dispenser Conversion Kit	\$65.00		\$
1002HP-H	Replacement 3-Prong Bag Holder	\$21.00		\$
1002HP-L	Header Pak Jr Lid W/Decal, Lock And Set Of 2 Keys	\$44.00		\$

Header Pak Litter Bags 2,000 Bags Per Case

1402HP	Header Pak Case (Quantity 1-6 Cases)	\$100.00		\$
1402HP	Header Pak Case (Quantity 7-12 Cases)	\$89.00		\$
1402HP	Header Pak Case (Quantity 13-89 Cases)	\$78.00		\$
1402HP	Header Pak Case (Quantity 90+ Cases)	\$68.00		\$

Item Subtotal: \$

Shipping (Use Chart On Left) \$

MO Sales Tax, If Applicable (7.613%) \$

Total: \$

Shipping Cost
 Over 250 Lbs Must Be Quoted

Purchasing \$	Shipping \$
\$0 To \$10	\$3.00
\$10.01 To \$23	\$7.00
\$23.01 To \$100	\$12.00
\$100.01 To \$220	\$29.00
\$220.01 To \$300	\$40.00
\$300.01 To \$350	\$45.00
\$350.01 To \$400	\$55.00
\$400.01 To \$450	\$60.00
\$450.01 To \$500	\$70.00
\$500.01 To \$600	\$80.00
\$600.01 To \$700	\$90.00
\$700.01 To \$800	\$95.00
\$800.01 To \$900	\$100.00
\$900.01 To \$1000	\$110.00
\$1000.01 To \$1100	\$135.00
Over \$1100.01	\$160.00



Orders Outside Continental USA Must Be Quoted

Seller Not Responsible For Customs Delays

Clients Are Responsible For All Brokerage Fees And Custom Charges

All Returns Are Subject To 20% Restocking Fee And All Shipping Paid By Purchaser

Poly Junior Dispenser #1007-2

314-770-1500
9am-4pm Mon-Fri



www.yuckos.com



Poly Junior Dispenser

- #1007-2
- 2.5 mm ABS/PP Polyethylene
- Forest Green
- Bottom Locking Access Panel
- Clear Instructions Posted
- Easy & Versatile Installation
- Measures 17" x 9.4" x 3.25"

2 Rolls Of Litter Bags

- #1402
- 200 Bags Per Roll (400 Bags)
- 8" Wide x 13" Tall
- Perforated Bag Separation
- Opaque Green

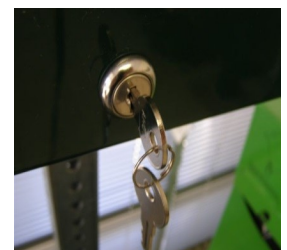


Set Of 2 Keys

- #1109

Lock

- #1107



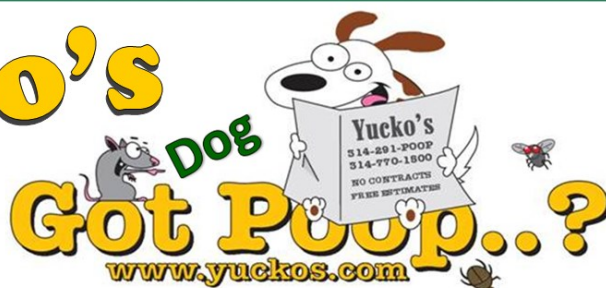
Available Replacements:

- Poly Junior Outer Shell Only #1007-0
- Poly Junior Insert With Lock And Set Of Two Keys #1007-I
- Lock With Set Of Two Keys #1107
- Set Of Two Keys #1109

Replacement Keys, Locks, And Other Parts Available

Yucko's

314-770-1500
9am-4pm Mon-Fri



DOGIPOT®



www.yuckos.com

POLY DOGIPOT® JUNIOR BAG DISPENSER (ITEM #1007-2) SPECIFICATION, INSTALLATION AND OPERATION SHEET



YOUR POLY DOGIPOT® JUNIOR BAG DISPENSER INCLUDES:

- One (1) Poly **DOGIPOT®** JUNIOR Bag Dispenser
- Mounting hardware (one (1) 2¼" x ¼" shoulder bolt and one (1) 2½" x ¼" bolt, washers and locknuts)
- Two (2) keys for Dispenser locking bottom access tray / insert
- Two (2) rolls of **DOGIPOT®** Smart Litter Pick Up Bags™ (ITEM #1402) (200 count per roll), installed in **DOGIPOT®** Junior Bag Dispenser

PLEASE CHECK THE ABOVE INVENTORY AND CALL YOUR DISTRIBUTOR IF ANY PARTS ARE MISSING.

INSTALLATION AND OPERATION INSTRUCTIONS

1. Select a good visible spot in your community or park where you want to install the Poly **DOGIPOT®** JUNIOR Bag Dispenser, such as on a post, building wall, tree, fence post, street sign post, etc. **The recommended installation height of the Poly DOGIPOT® JUNIOR Bag Dispenser is 66" (5'6").**

2. Remove the two keys from the back of the Dispenser. Insert key into the universal cam lock on the bottom access panel and turn one quarter to the right or left. Carefully, pull the bottom compartment down to release it from the body of the Dispenser.

3. The Dispenser has two pre-drilled holes; one on top for installation with the 2¼" x ¼" shoulder bolt and one through the interior back wall for installation with the 2½" x ¼" regular bolt. These two holes and the mounting hardware included match with the holes of every standard channel or square telescopic mounting post. **USE EXTERIOR WASHER BETWEEN SHOULDER BOLT HEAD AND DISPENSER WHEN INSTALLING. DO NOT OVER-TIGHTEN TO AVOID POSSIBLE CRACKING OF DISPENSER UNIT.**

4. To refill the Dispenser with **DOGIPOT®** Smart Litter Pick Up Bags™, take two (2) boxed rolls, and tear off the perforated seal from each box. Place the two boxes on top of each other on the bottom compartment shelf with the opening of the boxes facing the front. Reinstall the bottom locking access tray / insert.

5. Reach through the two diamond shaped openings and find the raw edge of the first bag through each of the slots and pull until the **DOGIPOT®** logo is visible.

6. **ENJOY WATCHING PET OWNERS PICK UP AFTER THEIR DOGS!**

Yucko's



The Smart Solution to Dog Pollution.

314-770-1500
9am-4pm Mon-Fri

www.yuckos.com

POLY DOGIPOT® JUNIOR BAG DISPENSER (ITEM #1007-2)

SPECIFICATION, INSTALLATION AND OPERATION SHEET

- **POLY DOGIPOT® JUNIOR BAG DISPENSER (ITEM #1007-2)**
 - H: 17" x W: 10" x D: 3"
 - 2.5 mm ABS / PP forest green polyethylene
 - Weight: 5 lbs.
 - 400 bag capacity
 - Two diamond shaped bag dispenser slots
 - Bottom locking access tray / insert
 - Clearly posted instructions
- **DESIGNED TO MOUNT ON 2" X 2" POLY, STEEL SQUARE OR CHANNEL POST**
 - Mounting hardware included
- **CAN ALSO BE MOUNTED ON FENCE, WALL, WOOD AND CHANNEL POST**
 - Hardware not included
- **TWO (2) ROLLS OF DOGIPOT® SMART LITTER PICK UP BAGS™**
 - 200 count per roll

TOTAL SHIP WEIGHT: 5 LBS.



Yucko's

3027 Charmbrook Lane
 Maryland Heights, MO 63043
 yuckos@yuckos.com
 Tel: 314-770-1500 Fax: 314-291-7667



Poly Junior Dispenser

Client Information
 Shipping Address:

Poly Junior Dispenser

Billing Address: (If Different)

Model #	Product Name	Price Ea	Quantity	Total
1007-2	Poly Junior Dispenser Quantity Of 1-14	\$79.00		
1007-2	Poly Junior Dispenser Quantity Of 15-25	\$75.00		
1007-2	Poly Junior Dispenser Quantity Of 26-49	\$70.00		
1007-2	Poly Junior Dispenser Quantity Of 50+	\$65.00		

Replacement Parts And Accessories

Email Address:

Model #	Product Name	Price Ea	Quantity	Total
1109	Poly Jr Set Of 2 Keys	\$3.00		
1107	Poly Jr Lock With 2 Keys	\$12.00		
1007-I	Poly Junior Insert With Lock And Set Of 2 Keys	\$44.00		
1007-O	Poly Junior Outer Shell Only	\$25.00		
1301-P	8' Galvanized Steel Telescopic Post	\$69.95		
1304	8' Composite Green Telescopic Post	\$69.95		
1302	4' Galvanized Steel Post	\$39.00		
1308	2" Rain Cap	\$9.95		
1307	1 ³ / ₄ " Rain Cap	\$9.95		
1306	Flat Concrete Post Base	\$69.00		
1310	Mobile Mounting Base	\$359.99		
1305	Cast Iron Pedestal Post Base	\$215.00		

Contact Number:

Payment Method:

Check Number

Card Number

Exp Date:

CVS Code:

Smart Litter Pick Up Bags - Rolled 200 Bags Per Roll

Notes:

Model #	Product Name	Price Ea	Quantity	Total
1402-S	Single Roll	\$10.95		\$
1402-10	10 Roll Case Of Litter Bags	\$81.00		\$
1402-20	20 Roll Case Of Litter Bags	\$152.00		\$
1402-30	30 Roll Case (Quantity 1-4 Cases)	\$216.00		\$
1402-30	30 Roll Case (Quantity 5-10 Cases)	\$189.00		\$
1402-30	30 Roll Case (Quantity 11-29 Cases)	\$177.00		\$
1402-30	30 Roll Case (Quantity 30+ Cases)	\$168.00		\$

Item Subtotal: \$

Shipping (Use Chart On Left) \$

MO Sales Tax, If Applicable (7.613%) \$

Total: \$

Shipping Cost

Over 250 Lbs Must Be Quoted

Purchasing \$	Shipping \$
\$0 To \$10	\$3.00
\$10.01 To \$23	\$7.00
\$23.01 To \$100	\$12.00
\$100.01 To \$220	\$29.00
\$220.01 To \$300	\$40.00
\$300.01 To \$350	\$45.00
\$350.01 To \$400	\$55.00
\$400.01 To \$450	\$60.00
\$450.01 To \$500	\$70.00
\$500.01 To \$600	\$80.00
\$600.01 To \$700	\$90.00
\$700.01 To \$800	\$95.00
\$800.01 To \$900	\$100.00
\$900.01 To \$1000	\$110.00
\$1000.01 To \$1100	\$135.00
Over \$1100.01	\$160.00



Orders Outside Continental USA Must Be Quoted

Seller Not Responsible For Customs Delays

Clients Are Responsible For All Brokerage Fees And Custom Charges

All Returns Are Subject To 20% Restocking Fee And All Shipping Paid By Purchaser

Accessories

Replacement Parts

314-770-1500
9am-4pm Mon-Fri



The Smart Solution to Dog Pollution.
www.yuckos.com



Lock Set With Keys

- Aluminum Junior #1105
- Aluminum Mini Junior #1105
- Aluminum Header Pak Junior #1111
- Poly Junior #1107
- Aluminum DogValet #1106
- Poly DogValet #1103

Set Of Two Keys

- Aluminum Junior #1102
- Aluminum Mini Junior #1102
- Aluminum Header Pak Junior #1102
- Poly Junior #1109
- Aluminum DogValet #1102
- Poly DogValet #1102

Maintenance Spray Paint



Forest Green
#1619

Replacement Decals



Header Pak Junior Dispenser Decal
9" W X 7 1/2" H



Aluminum DogValet Decal
16" W X 9 1/2" H



Junior Dispenser Decal
9" W X 8 1/4" H



Aluminum DogValet Side Flaps
#1509



On Leash Sign
18" H x 11 1/2" W
#1203



Off Leash Sign
18" H x 11 1/2" W
#1204

Posts



8' Composite Green
Telescopic Square Post
#1304



4' Galvanized Steel
Square Post
#1302



8' Galvanized Steel
Telescopic Square Post
#1301-P



Pyramid Post Caps
1 3/4" x 1 3/4" #1307
2" x 2" #1308

Post Bases



Mobile Mounting Base
#1310



Cast Iron Pedestal Post Base
#1305



Flat Concrete Base
#1306



Single Roll Dispensers
Poly #1008-1 Aluminum #1004-1



Trash Receptacles



Poly
Trash Receptacle
#1208-L



Aluminum
Trash Receptacle
#1206A-L



Steel
Trash Receptacle
#1206-L



Poly Trash Receptacle Replacement Lids
New Style #1210-N Old Style (Before 2008) #1210-O

Covers And Inserts



Aluminum Junior
Cover With Lock Set
#1002-L



Poly Junior Insert
With Lock Set
#1007-I



Poly Junior
Shell
#1007-I



Aluminum Header Pak
Junior Cover With Lock Set
#1002HP-L

Aluminum Header Pak
Conversion Kit
#1002HP-CK



Aluminum Header Pak
Junior 3-Prong Bag Holder
#1002HP-H

Yucko's

3027 Charmbrook Lane
 Maryland Heights, MO 63043
 yuckos@yuckos.com
 Tel: 314-770-1500 Fax: 314-291-7667



Client Information
 Shipping Address:

Accessories And Replacement Parts

Model #	Product Name	Price Ea	Quantity	Total	Billing Address: (If Different)		
1102	Set Of 2 Keys For Aluminum Junior	\$3.00		\$			
1105	Lock With 2 Keys For Aluminum Junior	\$12.00		\$			
1102	Set Of 2 Keys For Aluminum Mini Junior	\$3.00		\$			
1105	Lock With 2 Keys For Aluminum Mini Junior	\$12.00		\$			
1102	Set Of 2 Keys For Aluminum Header Pak Junior	\$3.00		\$			
1111	Lock With 2 Keys For Aluminum Header Pak Junior	\$12.00		\$	Email Address:		
1109	Set Of 2 Keys For Poly Junior	\$3.00		\$			
1107	Lock With 2 Keys For Poly Junior	\$12.00		\$			
1102	Set Of 2 Keys For Aluminum DogValet	\$3.00		\$	Contact Number:		
1106	Lock With 2 Keys For Aluminum DogValet	\$12.00		\$			
1102	Set Of 2 Keys For Poly DogValets	\$3.00		\$			
1103	Lock With 2 Keys For Poly DogValets	\$12.00		\$	Payment Method: Check Number Card Number Exp Date: CVS Code:		
1619	Maintenance Spray Paint	\$5.95		\$			
DECAL HP	Header Pak Junior Dispenser Decal 9" W X 7.5" H	\$5.95		\$			
DECAL V	Aluminum DogValet Decal 16" W x 9.5" H	\$5.95		\$			
DECAL J	Junior Dispenser Decal 9" W X 8.25" H	\$5.95		\$			
1509	Set Of Aluminum DogValet Rubber Side Flaps	\$10.00		\$	Notes:		
1203	On Leash Sign 18" H x 11.5" W	\$25.00		\$			
1204	Off Leash Sign 18" H x 11.5" W	\$25.00		\$			
1304	8' Composite Green Telescopic Post	\$69.95		\$			
1302	4' Galvanized Steel Post	\$39.00		\$			
1301-P	8' Galvanized Steel Telescopic Post	\$69.95		\$			
1307	1 ³ / ₄ " Rain Cap	\$9.95		\$			
1308	2" Rain Cap	\$9.95		\$			
1310	Mobile Mounting Base	\$359.99		\$			
1305	Cast Iron Pedestal Post Base	\$215.00		\$			
1306	Flat Concrete Post Base	\$69.00		\$			
1008-1	Poly Single Roll Dispenser	\$15.95		\$			
1208	Poly Trash Receptacle Quantity Of 1-30	\$85.00		\$			
1208	Poly Trash Receptacle Quantity Of 31-60	\$80.00		\$			
1208	Poly Trash Receptacle Quantity Of 61+	\$75.00		\$			Shipping Cost
1004-1	Aluminum Single Roll Dispenser	\$19.95		\$	Over 250 Lbs Must Be Quoted		
1206A-L	Aluminum Trash Receptacle Quantity Of 1-30	\$199.00		\$	Purchasing \$	Shipping \$	
1206A-L	Aluminum Trash Receptacle Quantity Of 31-60	\$189.00		\$	\$0 To \$10	\$3.00	
1206A-L	Aluminum Trash Receptacle Quantity Of 61+	\$179.00		\$	\$10.01 To \$23	\$7.00	
1206-L	Steel Trash Receptacle Quantity Of 1-30	\$179.00		\$	\$23.01 To \$100	\$12.00	
1206-L	Steel Trash Receptacle Quantity Of 31-60	\$169.00		\$	\$100.01 To \$220	\$29.00	
1206-L	Steel Trash Receptacle Quantity Of 61+	\$159.00		\$	\$220.01 To \$300	\$40.00	
1210-N	Lid For New Style Trash Receptacle (Has Notch)	\$15.00		\$	\$300.01 To \$350	\$45.00	
1210-O	Lid For Old Style Trash Receptacle (No Notch)	\$15.00		\$	\$350.01 To \$400	\$55.00	
1002-L	Aluminum Jr Lid W/Decal, Lock And Set Of 2 Keys	\$44.00		\$	\$400.01 To \$450	\$60.00	
1007-I	Poly Junior Insert With Lock And Set Of 2 Keys	\$44.00		\$	\$450.01 To \$500	\$70.00	
1007-O	Poly Junior Outer Shell Only	\$25.00		\$	\$500.01 To \$600	\$80.00	
Header Pak Conversion Kit And Pieces					\$600.01 To \$700	\$90.00	
1002HP-CK	Header Pak Bag Dispenser Conversion Kit	\$65.00		\$	\$700.01 To \$800	\$95.00	
1002HP-L	Header Pak Jr Lid W/Decal, Lock And Set Of 2 Keys	\$44.00		\$	\$800.01 To \$900	\$100.00	
1002HP-H	Replacement 3-Prong Bag Holder	\$21.00		\$	\$900.01 To \$1000	\$110.00	
				Item Subtotal:	\$	\$1000.01 To \$1100	\$135.00
				Shipping (Use Chart On Left)	\$	Over \$1100.01	\$160.00
				If Applicable (7.613%)	\$		
				Total:	\$		

Orders Outside Continental USA Must Be Quoted

Seller Not Responsible For Customs Delays

Clients Are Responsible For All Brokerage Fees And Custom Charges

All Returns Are Subject To 20% Restocking Fee And All Shipping Paid By Purchaser

Yucko's

314-770-1500
9am-4pm Mon-Fri



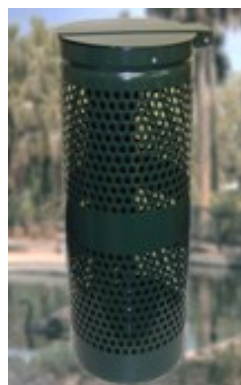
www.yuckos.com

DOGIPOT® Trash Receptacles



Aluminum Trash Receptacle

- #1206A-L
- 23" Tall - 11¹/₂" Diameter
- 10 Gallon
- 9 Gauge
- Powdered Coated
- Forest Green
- Box Of 50 Trash Liners



Steel Trash Receptacle

- #1206-L
- 23" Tall - 11¹/₂" Diameter
- 10 Gallon
- 16 Gauge
- Powdered Coated
- Forest Green
- Box Of 50 Trash Liners



Poly Trash Receptacle

- #1208-L
- 10 Gallon
- 21" x 13" x 12"
- A Snap-On Lid Holds Trash Liner In Place
- *Not Meant For Channel Posts*
(Voids Warranty If Attached To Channel Post)
- Box Of 50 Trash Liners



Box Of Trash Liner Bags

- #1404
- 50 Bags Per Box
- Heavy-Duty, 10-15 Gallons

Poly Trash Receptacle Replacement Lids

New Style Poly Lid #1210-N

-Has Notch In Lid-

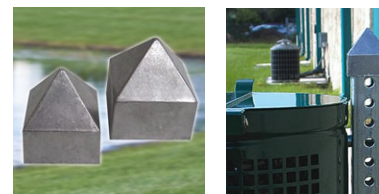


Maintenance Spray Paint Forest Green #1619



Old Style Poly Lid (Before 2008) #1210-O

-No Notch In Lid-



Pyramid Post Caps 1³/₄" x 1³/₄" #1307 2" x 2" #1308

Yucko's

314-770-1500
9am-4pm Mon-Fri



www.yuckos.com

DOGIPOT® TRASH RECEPTACLE (ITEM #1206-L AND ITEM 1206A-L) SPECIFICATION, INSTALLATION AND OPERATION SHEET



YOUR STEEL OR ALUMINUM DOGIPOT® TRASH RECEPTACLE INCLUDES:

- 10 Gallon steel (ITEM 1206-L) or aluminum (ITEM 1206A-L) Trash Receptacle with attached hinged lid and trash liner bag retainer bands with mounting hardware (one (1) 2½" x ¼" and one (1) 2¾" x ¼" bolts, washers and locknuts)
- One (1) box **DOGIPOT®** Smart Liner Trash Bags™ (ITEM #1404) (50 count)

PLEASE CHECK THE ABOVE INVENTORY AND CALL YOUR DISTRIBUTOR IF ANY PARTS ARE MISSING.

INSTALLATION AND OPERATION INSTRUCTIONS

1. Select a good visible spot in your community or park where you want to install the **DOGIPOT®** Trash Receptacle.
2. Insert the mounting post (2" x 2" x 4') approximately 14" into an 18" deep by 8" diameter hole filled with a 40 lb. bag of "ready to use" concrete mix. To stabilize the post while cementing, place a rod, bolt or other device through the two bottom holes, prior to inserting into the ground and cementing. Level the post in a straight vertical position and let concrete dry for at least 12 hours.
3. Install the Steel or Aluminum **DOGIPOT®** Trash Receptacle through the pre-drilled top oval holes in the back wall of the receptacle and through the square post with the bolts, washers and locknuts, using the 2¾" bolt on top and the 2½" bolt on bottom. The upper back wall of the trash receptacle is supposed to touch the head of the lower post bolt, which creates some space between the post and the receptacle allowing the receptacle lid to open from left to right without touching the post.

4. Insert one of the enclosed **DOGIPOT®** Smart Liner Trash Bags™ into the trash receptacle, folding it over the interior retainer bands. Proper installation and general maintenance will help expand the life of the trash receptacle. **DOGIPOT®** offers Product Maintenance Paint to help cover any paint chips which may occur in the powder coating during the life of the product.

5. ENJOY WATCHING PET OWNERS PICK UP AFTER THEIR DOGS!

• STEEL (ITEM #1206-L) OR ALUMINUM (ITEM #1206A-L) TRASH RECEPTACLE WITH LID

- H: 23" X 11.5" diameter
- 16 gauge powder coated forest green steel (ITEM #1206-L)
- 11 gauge powder coated forest green aluminum (ITEM #1206A-L)
- Weight: 14.6 lbs. (ITEM #1206-L) Weight: 7 lbs. (ITEM #1206A-L)
- Attached stainless steel hinged lid (ITEM #1206-L)
- Attached stainless steel hinged lid (ITEM #1206A-L)
- One (1) box 50 count **DOGIPOT®** Smart Liner Trash Bags™ (ITEM #1404) included (5 lbs.)

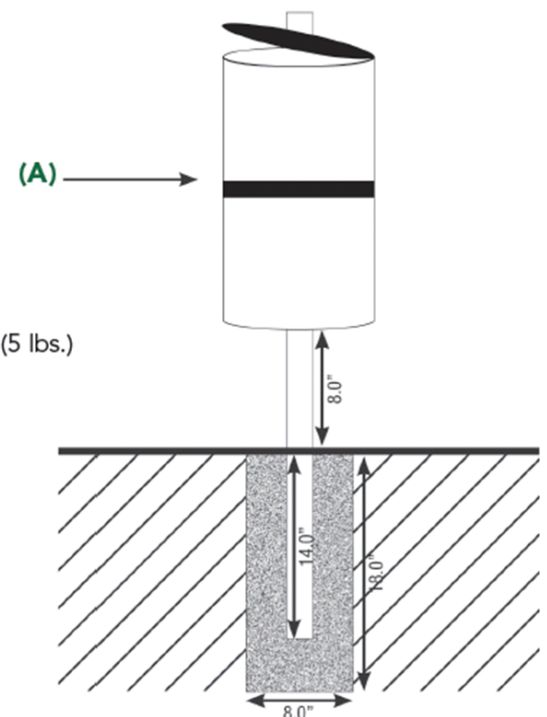
• SPACE BETWEEN GROUND AND RECEPTACLE:

- 8.0"

• HOLE:

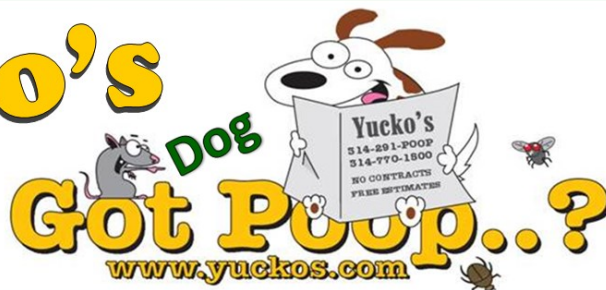
- D: 18.0" x W: 8.0"
- Fill with 40 lbs. "ready to use" cement

**TOTAL SHIP WEIGHT: 23 LBS.
(MOUNTING HARDWARE INCLUDED)**



Yucko's

314-770-1500
9am-4pm Mon-Fri



DOGIPOT®



The Smart Solution to Dog Pollution.

www.yuckos.com

POLY DOGIPOT® TRASH RECEPTACLE (ITEM #1208-L)

SPECIFICATION, INSTALLATION AND OPERATION SHEET



YOUR POLY DOGIPOT® TRASH RECEPTACLE INCLUDES:

- 10 Gallon Poly DOGIPOT® Trash Receptacle with attached lid with mounting hardware (two (2) 2¾" x ¼" bolts, washers, fender washers and locknuts)
- One (1) box DOGIPOT® Smart Liner Trash Bags™ (ITEM #1404) (50 count)

PLEASE CHECK THE ABOVE INVENTORY AND CALL YOUR DISTRIBUTOR IF ANY PARTS ARE MISSING.

INSTALLATION AND OPERATION INSTRUCTIONS

1. Select a good visible spot in your community or park where you want to install the Poly DOGIPOT® Trash Receptacle.
2. Insert the mounting post (2" x 2" x 4') approximately 14" into an 18" deep by 8" diameter hole filled with a 40 lb. bag of "ready to use" concrete mix. To stabilize the post while cementing, place a rod, bolt or other device through the two bottom holes, prior to inserting into the ground and cementing. Level the post in a straight vertical position and let concrete dry for at least 12 hours.
3. Install the Poly DOGIPOT® Trash Receptacle through the pre-drilled holes in the back wall of the receptacle and through the square post with the bolts, washers and locknuts. **ATTACH THE LID TO THE TRASH RECEPTACLE PRIOR TO MOUNTING.** Use the 2" fender washers for installation on the inside of the receptacle. The trash receptacle lid will open to pre-determined angle to prevent it from being overextended. The receptacle lid will hit

the post when it is fully opened.

4. Insert one of the enclosed DOGIPOT® Smart Liner Trash Bags™ into the trash receptacle, folding it over the edge of the receptacle and close the trash receptacle lid.

5. ENJOY WATCHING PET OWNERS PICK UP AFTER THEIR DOGS!

• POLY TRASH RECEPTACLE WITH LID

- H: 21" x W: 13" x D: 12"
- 2.5 mm ABS / PP forest green polyethylene
- Weight: 4 lbs.
- 10 gallon capacity
- Attachable hinged lid (ITEM #1210-N)
- One (1) box 50 count DOGIPOT® Smart Liner Trash Bags™ (ITEM #1404) included (5 lbs.)

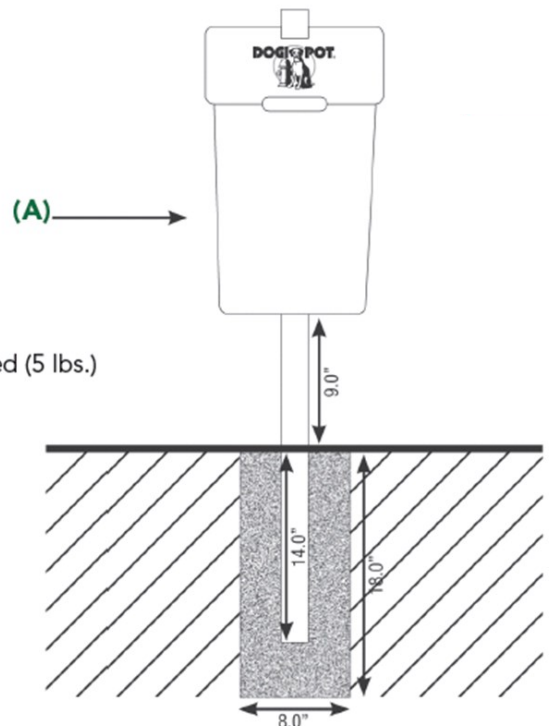
• SPACE BETWEEN GROUND AND RECEPTACLE:

- 9.0"

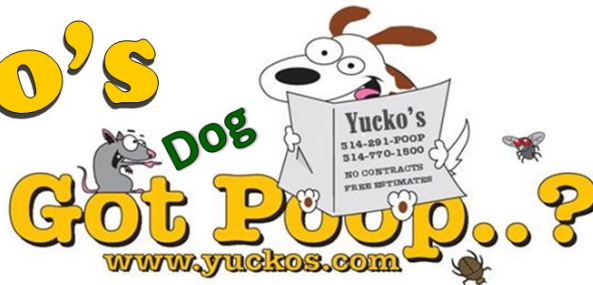
• HOLE:

- D: 18.0" x W: 8.0"
- Fill with 40 lbs. "ready to use" cement

**TOTAL SHIP WEIGHT: 13 LBS.
(MOUNTING HARDWARE INCLUDED)**



Yucko's



The Smart Solution to Dog Pollution.

www.yuckos.com

314-770-1500
9am-4pm Mon-Fri

DOGIPOT® Mounting Posts #1301-P - #1302 - #1304



8' Telescoping Galvanized Steel Post

- #1301-P
- 2" W x 2" D x 4'-8' H
- 12 Gauge Galvanized Steel



4' Galvanized Steel Post

- #1302
- 2" W x 2" D x 4' H
- 12 Gauge Galvanized Steel



8' Telescoping Composite Green Post

- #1304
- 2" W x 2" D x 4'-8' H
- .125 Gauge PolyFiber Blend

Hole Placement Designed For Dogipot's® Poly Pet Station Components



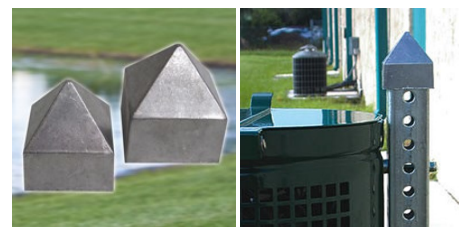
Mobile Mounting Base #1310



Cast Iron Pedestal Post Base #1305



Flat Concrete Base #1306



Pyramid Post Caps
1 3/4" x 1 3/4" #1307
2" x 2" #1308



Yucko's

DOG

Got POOP..?

www.yuckos.com

314-770-1500
9am-4pm Mon-Fri



The Smart Solution to Dog Pollution.

www.yuckos.com

DOGIPOT® TELESCOPING POST (ITEM 1301-P)

SPECIFICATION & INSTALLATION SHEET

INSTALLATION INSTRUCTIONS

1. Select a good visible spot where you want to install the **DOGIPOT®** telescoping post.
2. Prior to installation, remove the 1.75" x 1.75" x 4' portion of the mounting post from the 2" x 2" x 4' portion of the mounting post before cementing. Insert the mounting post (2" x 2" x 4') approx. 12" into a 14" deep by 6" diameter hole filled with a 40 lb. bag of "ready to use" concrete mix. To stabilize the post while cementing, place a rod, bolt or other device through the two bottom holes, prior to inserting into the ground and cementing. Level the post in a straight vertical position and let concrete dry for at least 12 hours.
3. After concrete is dry, insert the smaller portion of the post (1.75" x 1.75" x 4') into the larger cemented portion of the post (2" x 2" x 4') until the first 4 holes are lined up between the two posts. Use (2) carriage bolts, washers and locknuts to fix the telescope post in position, the upper bolt in the top overlapping hole, pointing from right to left and the lower bolt in the bottom overlapping hole, pointing from front to back.

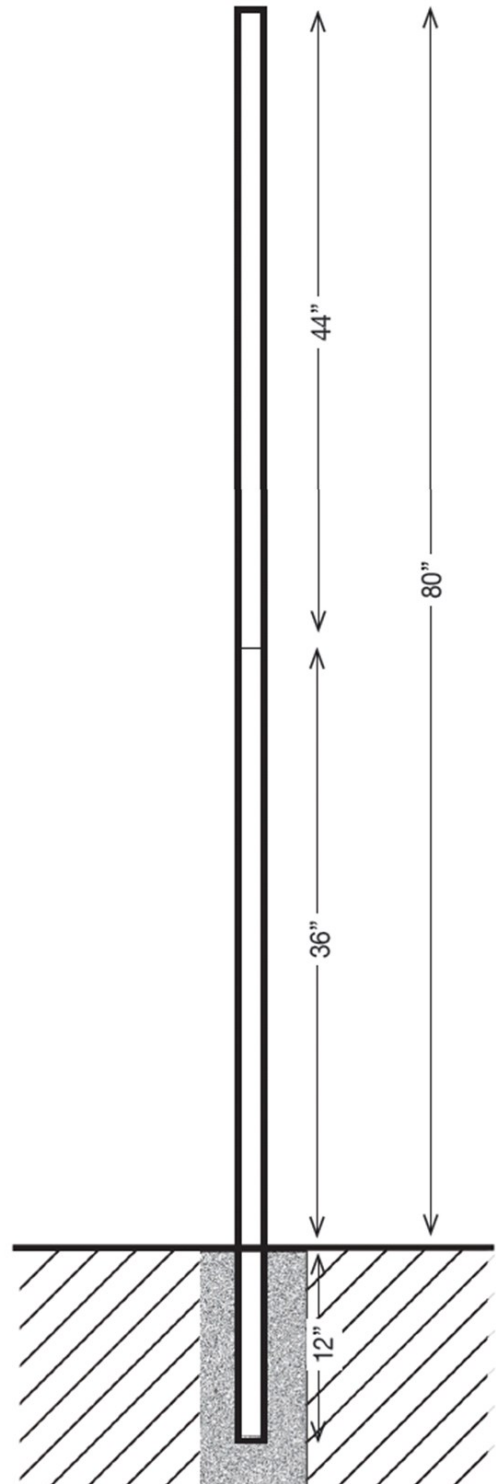
SPECIFICATIONS

- H: 8' X W: 2" X D: 2"
- 12 gauge galvanized steel
- Weight: 15 lbs.
- Shipping carton: 2.25" x 2.25" x 48.25"

HOLE

- D: 14" x W: 7"
- Fill with 40 lbs. "ready to use" cement

TOTAL SHIP WEIGHT: 15 LBS.
(MOUNTING HARDWARE INCLUDED)





Yucko's

314-770-1500
9am-4pm Mon-Fri



The Smart Solution to Dog Pollution.

www.yuckos.com

DOGIPOT® MOUNTING POST (ITEM 1302)

SPECIFICATION & INSTALLATION SHEET

INSTALLATION INSTRUCTIONS

1. Select a good visible spot where you want to install the **DOGIPOT®** mounting post.
2. Insert the mounting post (2" x 2" x 4") approx. 12" into a 14" deep by 6" diameter hole filled with a 40 lb. bag of "ready to use" concrete mix. To stabilize the post while cementing, place a rod, bolt or other device through the two bottom holes, prior to inserting into the ground and cementing. Level the post in a straight vertical position and let concrete dry for at least 12 hours.
3. After concrete is dry, post should be sturdy and sticking 36" out of the ground.

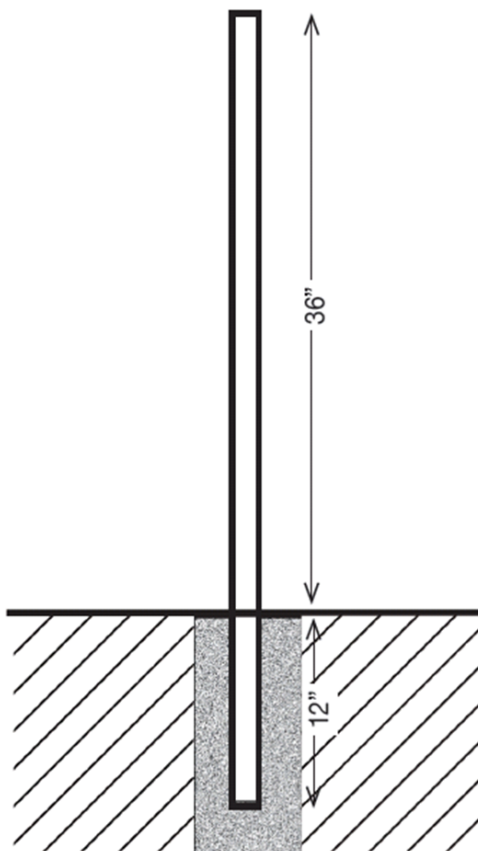
SPECIFICATIONS

- H: 4' X W: 2" X D: 2"
- 12 gauge galvanized steel
- Weight: 9 lbs.
- Shipping carton: 2.25" x 2.25" x 48.25"

HOLE

- D: 14" x W: 7"
- Fill with 40 lbs. "ready to use" cement

TOTAL SHIP WEIGHT: 9 LBS.



Yucko's

314-770-1500
9am-4pm Mon-Fri



The Smart Solution to Dog Pollution.

www.yuckos.com

DOGIPOT® Single Roll Dispensers



Aluminum Single Roll Dispenser

- #1004-1
- Measures 9" W x 3 ¼" H x 3 ¼" D
- For Indoor Use
- Forest Green
- 12 Gauge Powder Coated Aluminum
- One Roll Of Litter Bags #1402
- Mounting Hardware Of Two Screws And Anchors

Poly Single Roll Dispenser

- #1008-1
- Measures 9" W x 3 ¼" H x 3 ¼" D
- For Indoor Use
- Forest Green
- One Roll Of Litter Bags #1402
- Mounting Hardware Of Two Screws And Anchors



The Ideal Tool For Every Private Household
Place Them Where You Need Them
Garage - Motor Home - Right Next To Your Leash

Roll Of Litter Bags

- #1402
- 200 Bags Per Roll (400 Bags)
- 8" Wide x 13" Tall
- Perforated Bag Separation
- Opaque Green



Approximate Shelf Life: 1 Year

Storage Recommendations[‡]:

- Keep In Original Packaging
- Keep In A Controlled Environment
- Do Not Exceed 86 °F (30 °C)
- Do Not Store In Direct Sunlight
- Use Prior To Use-By Date



Refill Litter Bags

- Single Roll #1402
- 10 Roll Case #1402-10
- 20 Roll Case #1402-20
- 30 Roll Case #1402-30

‡ Failure Of The Above Will Reduce The Shelf-Life And May Adversely Impact The Performance Characteristics Of These Bags And Void Any Warranty

Yucko's



314-770-1500
9am-4pm Mon-Fri



The Smart Solution to Dog Pollution.

www.yuckos.com

DOGIPOT® Pet Signs #1203 - #1204

On Leash Pet Sign

- #1203
- Pet Waste Transmits Disease
- Leash And Clean Up After Your Pet
- Please Keep This Area Clean
- Measures 18" H x 11.5" W
- Reflective 14 Gauge Aluminum
- Forest Green On White
- Mounting Hardware Not Included



#1203

Off Leash Pet Sign

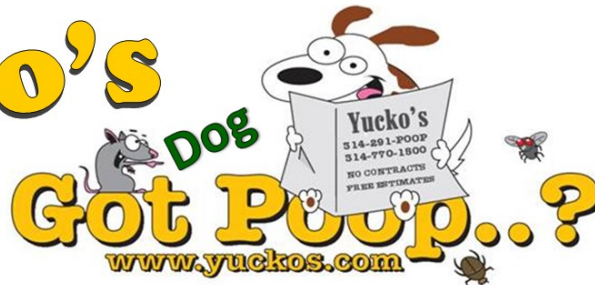
- #1204
- Pet Exercise Area
- Pets Must Be Controlled At All Times
- Please Clean Up After Your Pet
- Measures 18" H x 11.5" W
- Reflective 14 Gauge Aluminum
- Forest Green On White
- Mounting Hardware Not Included



#1204

Yucko's

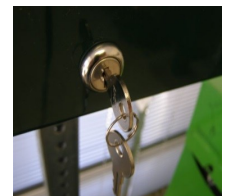
314-770-1500
9am-4pm Mon-Fri



The Smart Solution to Dog Pollution.

www.yuckos.com

Header Pak Bag Dispenser Conversion Kit #1002HP-CK



Conversion Kit #1002HP-CK

- Header Pak Lid With Decal, Lock And Two Keys #1002HP-L
- 3-Prong Bag Holder #1002HP-H



Yucko's

3027 Charmbrook Lane
 Maryland Heights, MO 63043
 yuckos@yuckos.com
 Tel: 314-770-1500 Fax: 314-291-7667



Client Information
 Shipping Address:

Accessories And Replacement Parts

Model #	Product Name	Price Ea	Quantity	Total	Billing Address: (If Different)			
1102	Set Of 2 Keys For Aluminum Junior	\$3.00		\$				
1105	Lock With 2 Keys For Aluminum Junior	\$12.00		\$				
1102	Set Of 2 Keys For Aluminum Mini Junior	\$3.00		\$				
1105	Lock With 2 Keys For Aluminum Mini Junior	\$12.00		\$				
1102	Set Of 2 Keys For Aluminum Header Pak Junior	\$3.00		\$				
1111	Lock With 2 Keys For Aluminum Header Pak Junior	\$12.00		\$	Email Address:			
1109	Set Of 2 Keys For Poly Junior	\$3.00		\$				
1107	Lock With 2 Keys For Poly Junior	\$12.00		\$				
1102	Set Of 2 Keys For Aluminum DogValet	\$3.00		\$	Contact Number:			
1106	Lock With 2 Keys For Aluminum DogValet	\$12.00		\$				
1102	Set Of 2 Keys For Poly DogValets	\$3.00		\$				
1103	Lock With 2 Keys For Poly DogValets	\$12.00		\$	Payment Method: Check Number Card Number Exp Date: CVS Code:			
1619	Maintenance Spray Paint	\$5.95		\$				
DECAL HP	Header Pak Junior Dispenser Decal 9" W X 7.5" H	\$5.95		\$				
DECAL V	Aluminum DogValet Decal 16" W x 9.5" H	\$5.95		\$				
DECAL J	Junior Dispenser Decal 9" W X 8.25" H	\$5.95		\$				
1509	Set Of Aluminum DogValet Rubber Side Flaps	\$10.00		\$	Notes:			
1203	On Leash Sign 18" H x 11.5" W	\$25.00		\$				
1204	Off Leash Sign 18" H x 11.5" W	\$25.00		\$				
1304	8' Composite Green Telescopic Post	\$69.95		\$				
1302	4' Galvanized Steel Post	\$39.00		\$				
1301-P	8' Galvanized Steel Telescopic Post	\$69.95		\$				
1307	1 ³ / ₄ " Rain Cap	\$9.95		\$				
1308	2" Rain Cap	\$9.95		\$				
1310	Mobile Mounting Base	\$359.99		\$				
1305	Cast Iron Pedestal Post Base	\$215.00		\$				
1306	Flat Concrete Post Base	\$69.00		\$				
1008-1	Poly Single Roll Dispenser	\$15.95		\$				
1208	Poly Trash Receptacle Quantity Of 1-30	\$85.00		\$				
1208	Poly Trash Receptacle Quantity Of 31-60	\$80.00		\$				
1208	Poly Trash Receptacle Quantity Of 61+	\$75.00		\$			Shipping Cost	
1004-1	Aluminum Single Roll Dispenser	\$19.95		\$	Over 250 Lbs Must Be Quoted			
1206A-L	Aluminum Trash Receptacle Quantity Of 1-30	\$199.00		\$	Purchasing \$	Shipping \$		
1206A-L	Aluminum Trash Receptacle Quantity Of 31-60	\$189.00		\$	\$0 To \$10	\$3.00		
1206A-L	Aluminum Trash Receptacle Quantity Of 61+	\$179.00		\$	\$10.01 To \$23	\$7.00		
1206-L	Steel Trash Receptacle Quantity Of 1-30	\$179.00		\$	\$23.01 To \$100	\$12.00		
1206-L	Steel Trash Receptacle Quantity Of 31-60	\$169.00		\$	\$100.01 To \$220	\$29.00		
1206-L	Steel Trash Receptacle Quantity Of 61+	\$159.00		\$	\$220.01 To \$300	\$40.00		
1210-N	Lid For New Style Trash Receptacle (Has Notch)	\$15.00		\$	\$300.01 To \$350	\$45.00		
1210-O	Lid For Old Style Trash Receptacle (No Notch)	\$15.00		\$	\$350.01 To \$400	\$55.00		
1002-L	Aluminum Jr Lid W/Decal, Lock And Set Of 2 Keys	\$44.00		\$	\$400.01 To \$450	\$60.00		
1007-I	Poly Junior Insert With Lock And Set Of 2 Keys	\$44.00		\$	\$450.01 To \$500	\$70.00		
1007-O	Poly Junior Outer Shell Only	\$25.00		\$	\$500.01 To \$600	\$80.00		
Header Pak Conversion Kit And Pieces					\$600.01 To \$700	\$90.00		
1002HP-CK	Header Pak Bag Dispenser Conversion Kit	\$65.00		\$	\$700.01 To \$800	\$95.00		
1002HP-L	Header Pak Jr Lid W/Decal, Lock And Set Of 2 Keys	\$44.00		\$	\$800.01 To \$900	\$100.00		
1002HP-H	Replacement 3-Prong Bag Holder	\$21.00		\$	\$900.01 To \$1000	\$110.00		
Orders Outside Continental USA Must Be Quoted					Item Subtotal:	\$	\$1000.01 To \$1100	\$135.00
Seller Not Responsible For Customs Delays					Shipping (Use Chart On Left)	\$	Over \$1100.01	\$160.00
Clients Are Responsible For All Brokerage Fees And Custom Charges					If Applicable (7.613%)	\$		
All Returns Are Subject To 20% Restocking Fee And All Shipping Paid By Purchaser					Total:	\$		

Yucko's

314-770-1500
9am-4pm Mon-Fri



www.yuckos.com

DOGIPOT® Pet Products



Adjustable Diner

- Three Sizes Available
- Chestnut/Russet Color
- Adjusts To Two Heights
- Tray Made With Durable Eco Flex® Material
- Two Stainless Steel Drop-In Bowls
- Entire Unit Dishwasher Safe

Small

- #1704-S
- Open - 16.5" L x 8.1" W x 5.5" H
- Folded - 3.125" H
- Bowls Hold 12 FL OZ

Medium

- #1704-M
- Open - 19.7" L x 9.4" W x 7.5" H
- Folded - 3.125" H
- Bowls Hold 24 FL OZ

Large

- #1704-L
- Open - 22.4" L x 11.0" W x 10.6" H
- Folded - 3.125" H
- Bowls Hold 48 FL OZ



Bunkhouse

- Two Sizes Available
- Natural Color With Green Trimming
- Made Of Eco Flex® 100% Recycled Non-Toxic, Wood Poly-Fiber Blend
- Weather-Resistant, Moisture-Proof
- Will Not Fade, Warp, Split Or Twist
- Elevated Floor With Adjustable Ventilation
- Simple, No-Tool Assembly Construction
- 5 Year Warranty

Large

- #1703-L
- 38.5" L x 31" W x 35" H
- Recommended For Pets Up To 100 Lbs.
- Door Opening: 14" L x 18" W

Extra Large

- #1703-XL
- 44" L x 35.5" W x 38" H
- Recommended For Pets Up To 200 Lbs.
- Door Opening: 16" L x 19.5 W



Two-In-One Table Crate

- Two Sizes Available
- Espresso Color
- 5 Year Warranty
- Made Of Eco Flex® 100% Recycled Non-Toxic, Wood Poly-Fiber Blend

Medium

- #1702-M
- 29.5" L x 21" W x 25" H

Large

- #1702-L
- 35.5" L x 24" W x 28" H



Large Dog Bowl

- #1702-L
- Green 'Bone' Print
- 10" Wide And 2.5" Deep
- Dishwasher Safe
- Non-Toxic Recycled Plastic
- Fade, Chip And Scratch Resistant
- Rubber Grips On Bottom
- Holds 32 FL OZ (1 QT)

Artificial Dog Poop

- #1901
- Each One Varies
- 3" W x 1.5" H



Yucko's

3027 Charmbrook Lane
 Maryland Heights, MO 63043
 yuckos@yuckos.com
 Tel: 314-770-1500 Fax: 314-291-7667



Client Information
 Shipping Address:

Pet Products Order Form

Bunk House

Model #	Product Name	Price Ea	Quantity	Total
1703-L	Large Bunkhouse	\$199.99		\$
1703-XL	Extra Large Bunkhouse	\$249.99		\$

Two-In-One Table Crate

Model #	Product Name	Price Ea	Quantity	Total
1702-M	Medium Table Crate In Espresso	\$199.99		\$
1702-L	Large Table Crate In Espresso	\$249.99		\$

Adjustable Diner

Model #	Product Name	Price Ea	Quantity	Total
1704-S	Small Adjustable Diner In Chestnut	\$26.99		\$
1704-M	Medium Adjustable Diner In Chestnut	\$32.99		\$
1704-L	Large Adjustable Diner In Chestnut	\$39.99		\$

Dog Bowl

Model #	Product Name	Price Ea	Quantity	Total
1701-L	Large Dog Bowl - Green Bone Print	\$12.99		\$

Artificial Dog Poop

Model #	Product Name	Price Ea	Quantity	Total
1901	Two Piles Of Artificial Dog Poop	\$6.00		\$

Item Subtotal: \$

Shipping (Use Chart On Left) \$
 MO Sales Tax, If Applicable (7.613%) \$

Total: \$

Billing Address: (If Different)

Email Address:

Contact Number:

Payment Method:
 Check Number
 Card Number
 Exp Date: CVS Code:

Notes:

Shipping Cost

Over 250 Lbs Must Be Quoted

Purchasing \$	Shipping \$
\$0 To \$10	\$3.00
\$10.01 To \$23	\$7.00
\$23.01 To \$100	\$12.00
\$100.01 To \$220	\$29.00
\$220.01 To \$300	\$40.00
\$300.01 To \$350	\$45.00
\$350.01 To \$400	\$55.00
\$400.01 To \$450	\$60.00
\$450.01 To \$500	\$70.00
\$500.01 To \$600	\$80.00
\$600.01 To \$700	\$90.00
\$700.01 To \$800	\$95.00
\$800.01 To \$900	\$100.00
\$900.01 To \$1000	\$110.00
\$1000.01 To \$1100	\$135.00
Over \$1100.01	\$160.00



Orders Outside Continental USA Must Be Quoted

Seller Not Responsible For Customs Delays

Clients Are Responsible For All Brokerage Fees And Custom Charges

All Returns Are Subject To 20% Restocking Fee And All Shipping Paid By Purchaser

Frequently Asked Questions

Pollution Questions

Q: Why Should You Pick Up Dog Waste?

First, It Is The Law In Virtually All Areas That Dog Owners Must Pick Up After Their Dogs. Both Litter Control Laws And Or "Pooper Scooper" Ordinances Require This And Most Require Fines To The Dog Owners For Non Compliance.

Second, The Presence Of Dog Waste That Is Not Picked Up Is A Nuisance To Other Dogs And People That Want To Use These Same Dog-Friendly Areas. No One Wants To See, Smell Or Step In Dog Waste.

Third And Most Importantly, Dog Waste Is A Serious Pollutant And Health Hazard. It Contains Numerous Pathogens Which Are Dangerous To Both Humans And Dogs Who Come In Direct Contact With It.

Dogipot® Product Questions

Q: What Is The Size Of The Dogipot® Smart Litter Pick Up Bags™?

Dogipot® Smart Litter Pick Up Bags™ Are 8" Wide By 13" Tall. This Size Is Large Enough To Handle Picking Up In Virtually All Situations But Not Too Large Where The Customer Is Paying For Unnecessary Material And Extra Product That Is Needlessly Disposed Of In Landfills.

Q: How Should I Store My Dogipot® Smart Litter Pick Up Bags™ And Smart Litter Trash Bags™?

- **Keep In Original Dogipot® Box And Packaging**
 - **Keep In Controlled Environment Prior To Use Not To Exceed 30°C Or 86°F**
 - **Avoid Storage In Direct Sunlight**
 - **Use Prior To "Use By"**
- ‡ **Failure Of The Above Will Reduce The Shelf-Life And May Adversely Impact The Performance Characteristics Of These Bags And Void Any Warranty.**

Q: What Quantities Do Dogipot® Smart Litter Pick Up Bags™ Come In?

Dogipot® Smart Litter Pick Up Bags™ Come In Two Types: The Most Popular Boxed-Rolls And Our Header Paks (I.E., Hanging Bags). Each Boxed Roll Contains 200 Bags And Can Be Purchased In In Any Quantity, But Come In Convenient 10-Roll, 20-Roll And 30-Roll Cases. Each Case Of Header Pak Bags Contains 20 Cards Of 100 Bags Each.

Q: Is There More Waste With Roll Bags Than Hanging Bags?

Despite Some Claims From Companies Which Heavily Promote Hanging Bags, Numerous Observation And Usage Studies Have Shown That There Is No Additional Waste With Rolled Bags Over Hanging Bags. Most Studies Showed That Pick Up Rates Were Actually Better With Rolled Bags Because Dog Owners Who Happened To Take An Additional Bag From The Dispenser, Used It When They Were Not Conveniently Close To A Dispenser. Fortunately, Dogipot® Offers Both Rolled And Hanging Bags For Our Customers' Convenience And Preference.

Q: Do Dogipot® Bags Fit Other Brands Of Dispensers?

Dogipot® Was The First Major Brand On The Market Beginning In 1994. Most Competitors Have Modeled Their Dispensers And Products After Dogipot®. However, Though They Have Imitated Dogipot® They Certainly Have Not Duplicated Dogipot®. Thus, Dogipot's® Smart Litter Pick Up Bags™ Fit In All Major Brand Rolled And Hanging Dispensers.

Q: How Many Bags Do Dogipot® Dispensers Hold?

All Dogipot® Dispensers And DogValets® Conveniently Hold 400 Bags.

Q: How Many Dispensers/Pet Stations And Dogipot® Smart Litter Pick Up Bags™ Do I Need?

The Amount Of Dispenser Units And Associated Dogipot® Smart Litter Pick Up Bags™ Will Vary Depending On The Location And Expected Dog Traffic. Installing Enough Dispensers In The Right Locations Within In Dog-Friendly Areas Is Critical To Maximize Usage And Increase Pick Up Rates. The Locations Should Be In Places Where Most Dog Owners Will Walk By (E.G., Entrance To Park Area) And At Reasonable Distances Apart So A Dispenser Is Never Too Far Apart To Retrieve A Pick Up Bag. A Good Starting Estimate Of The Needed Litter Pick Up Bags Would Be At Least 1.5 Rolls Or 3 Header Paks Per Month Per Dispenser. Monitoring Usage From There Will Indicate Whether Usage Is Greater And More Bags Or Less Bags Are Needed Each Month. Never Hesitate To Contact Yucko's For Assistance In Determining Your Product Needs.

Ordering Questions

Q: What Is The Shipping Policy?

Orders Processed By 10:30 CST Will Usually Be Shipped Out That Day, Or By The Next Business Day.

Q: Where Does My Order Ship From?

Your Order Will Usually Be Shipped From Either Orlando, Florida, Or Phoenix, Arizona

Warranty

DOGIPOT, Inc 2 Year Limited Warranty

DOGIPOT® Warrants To The Original Consumer Purchaser That Our DOGIPOT® Brand Products Will Be Free From Defects In Material Workmanship Under Normal Use For A Period Of Two (2) Years From The Date Of Purchase.

DOGIPOT® May Elect To Repair Or Replace Any Defective DOGIPOT® Product Covered By Our Warranty. Our Warranty Does Not Cover Defects Caused By Misuse, Abuse, Vandalism, Negligence, Alterations, Environmental Conditions, Or Improper Installation, Storage And Handling.

This Warranty Is Only Valid In The United States Of America. Some States Do Not Allow Limitations On How Long An Implied Warranty Lasts Or The Exclusion Of Incidental Or Consequential Damages, So The Above Limitations Or Exclusions May Not Apply. This Warranty Gives You Specific Legal Rights, And You May Also Have Other Rights Which Vary From State To State.

To Obtain Performance Under This Warranty, The Purchaser Must Contact The DOGIPOT® Distributor In From Whom They Purchased The Product And Report, In Writing, All Defects Claimed. If You Have Difficulty Obtaining Assistance, Write To: DOGIPOT 2100 Principal Row, Suite 405, Orlando, FL 32837.

Terms And Conditions

All Sales Are Final

All Orders Must Be Inspected Day Of Delivery For Damages/Loss/Etc

And

Reported By The Next Day For Claims To Be Filed With The Delivering Carrier

Yucko's Is Not Responsible For Damages/Loss/Etc. Resulting From The Delivering Carrier

Your Order Will Usually Be Shipped From Either Orlando, Florida Or Phoenix, Arizona

Orders Processed By 10:30 AM CST Will Usually Be Shipped Out That Day Or By The Next Business Day



Yucko's, Inc Does Not Sell Or Rent Customer Information To Any Third Parties Or Non-Affiliates Under Any Circumstances
Questions? Please Contact Us - We Will Be Happy To Assist You 314-770-1500